

# NA Company

## DMX Splitter 4 DIN

### Quick Start Guide



Адрес:  
Москва, Дмитровское шоссе,  
100 стр. 2, оф. 4121  
Бизнес-центр "Норд Хаус".

Телефоны:  
+7 (495) 920-77-56  
+7 (916) 043-41-67  
+7 (910) 404-42-64

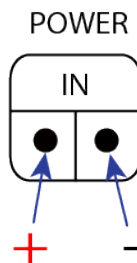
Сервисный центр:  
+7 (916) 296-06-30

## Setup

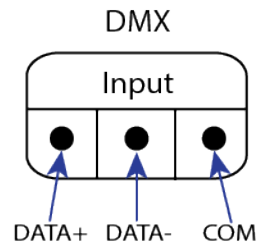
DMX Splitter 4 DIN devices use a standard Phoenix MSTB screw terminal connector in various pin configurations. Please refer to the wiring diagrams below for correct hook up of your DMX Splitter 4 DIN product.



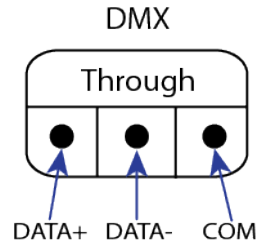
1. Connect the 24V DC power to the power input located in left top corner. The connector should be wired as depicted in the image below.



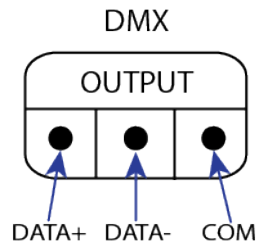
2. Connect the DMX signal input to the DMX input in the right top corner. The connector should be wired as depicted in the image below.



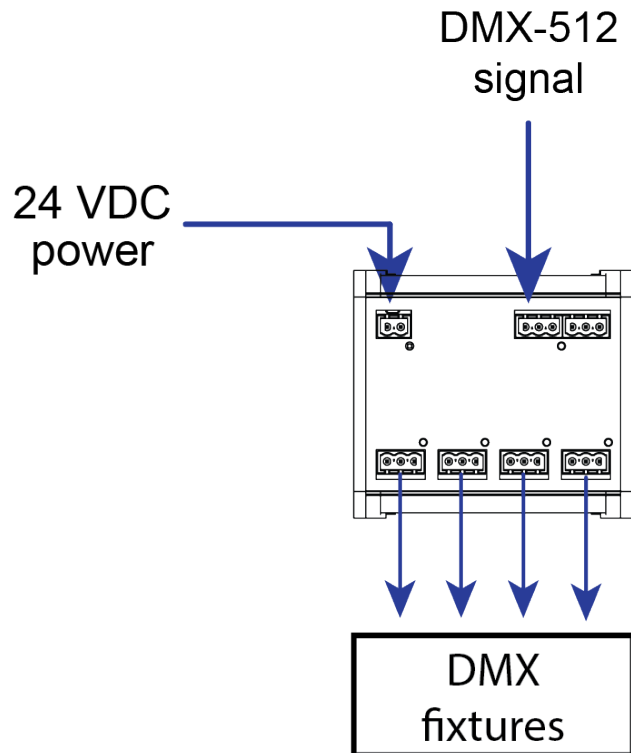
2.1 To pass DMX to another device, connect the DMX cable to the DMX Thru port located in the right top corner of the unit. The connector should be wired as depicted in the image below.



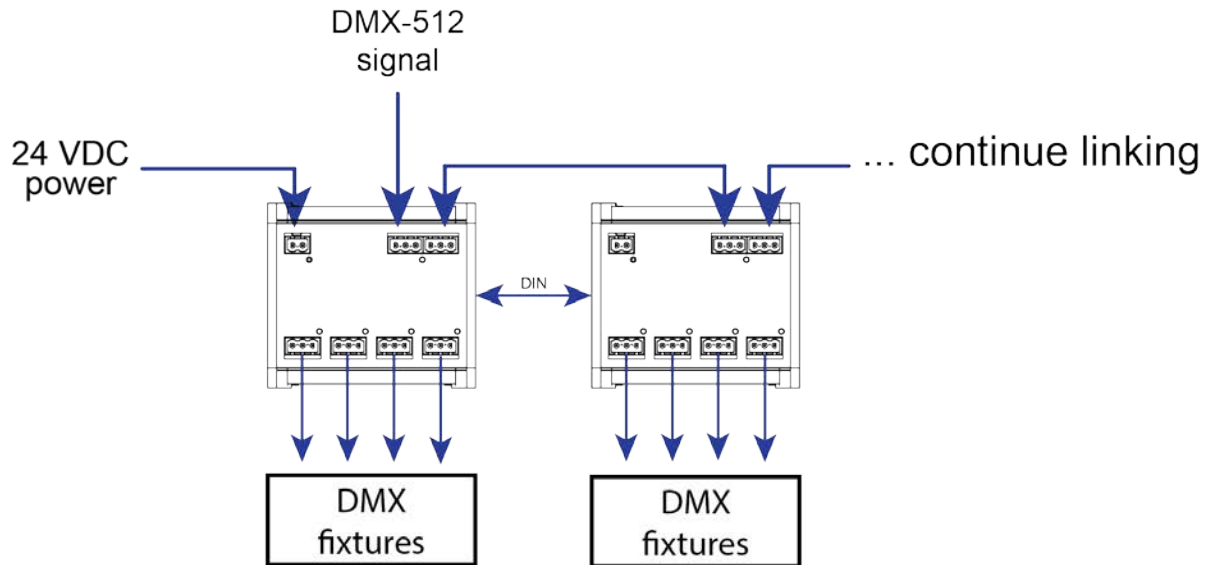
3. Connect the optically isolated DMX signal outputs to DMX links. The connector should be wired as depicted in the image below.



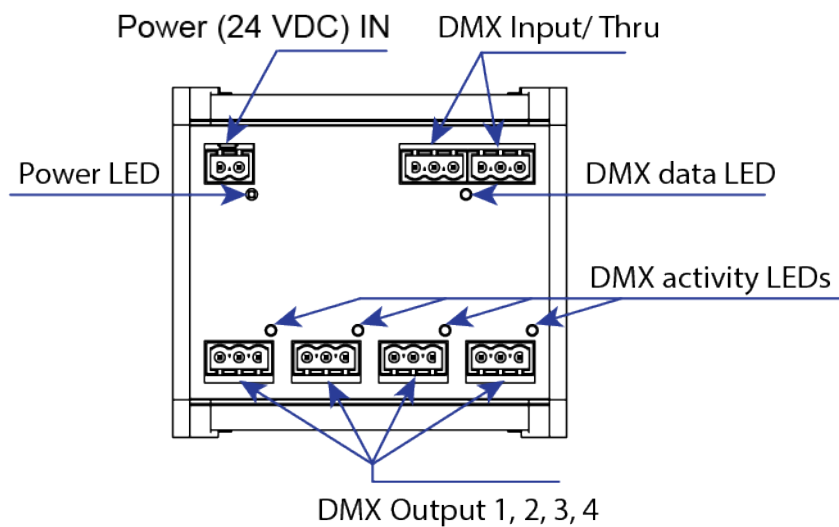
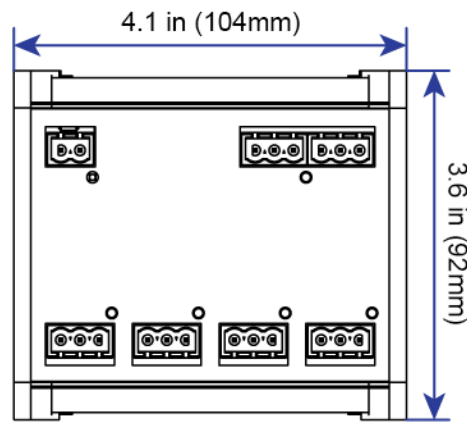
### Connection Scheme



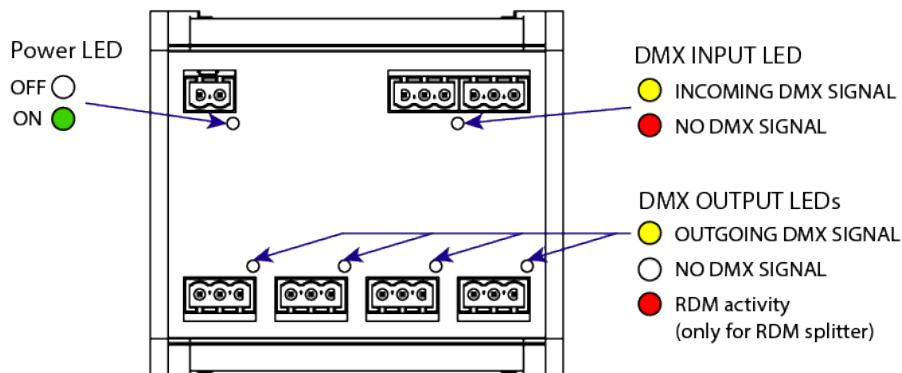
The image below shows DMX signal “daisy-chaining” of the opto splitters via the DMX thru.



### Dimensions and Connections



## LED Status Information



The Power LED has two states: ON and OFF.

- ON: Unit is receiving power
- OFF: Unit is not receiving power

The DMX INPUT / THRU activity LED has two status colors: RED and YELLOW.

- RED: There is no active incoming DMX signal
- YELLOW: There is an active incoming DMX signal

The DMX output activity LED has two (non-RDM) or three (RDM) status colors: YELLOW and OFF (non-RDM); YELLOW, OFF, and BLINKING RED (RDM).

- OFF: There is no DMX outgoing signal
- YELLOW: There is an active DMX outgoing signal
- YELLOW with BLINKING RED: There is RDM activity packets on the DMX link

**Note:** DMX Splitter 4 DIN are a part of a lighting control signal network. DMX Splitter 4 DIN are used for standard DMX signal amplification, isolation and splitting to multiple DMX outputs. DMX Splitter 4 DIN ensure the safety of the equipment on either side of the Splitter. Should there be an electrical failure in a piece of equipment on one side of the Splitter, the attached equipment on the opposite side will not be affected. There is no isolation however between the IN and THRU connections. RDM Splitters provide all of the same protection as standard Splitters with the addition of RDM protocol support.

Адрес:

Москва, Дмитровское шоссе,  
100 стр. 2, оф. 4121  
Бизнес-центр "Норд Хаус".

Телефоны:

+7 (495) 920-77-56  
+7 (916) 043-41-67  
+7 (910) 404-42-64

Сервисный центр:

+7 (916) 296-06-30