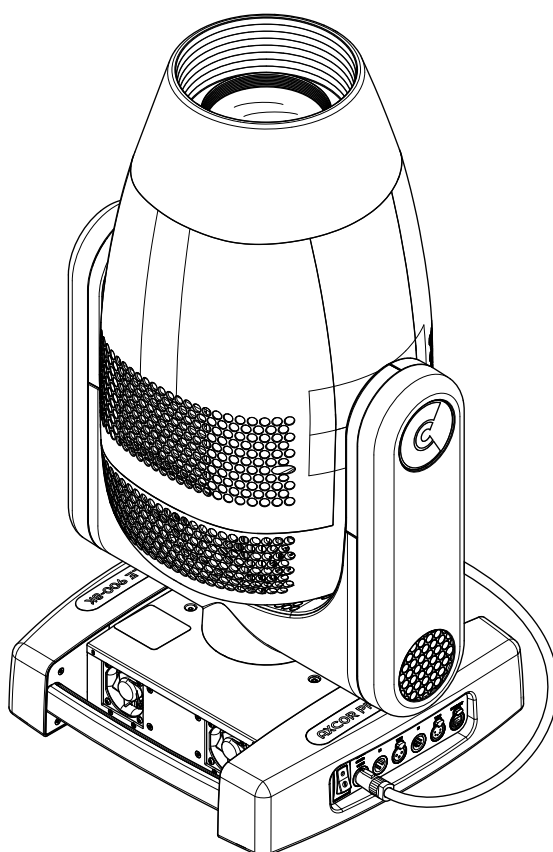


INSTRUCTION MANUAL



INDEX	
Page	Contents
2	Safety information
3	Unpacking and preparation
4	Installation and start-up
5	Control panel
7	Maintenance
19	Optional accessories
20	Technical information

*Congratulations on choosing a Claypaky product!
 We thank you for your custom.*

Please note that this product, as all the others in the rich Claypaky range, has been designed and made with total quality to ensure excellent performance and best meet your expectations and requirements.

SAFETY INFORMATION

EN

SAFETY INSTRUCTIONS

IMPORTANT: Claypaky recommends you carefully read and keep the safety information on this product, also available in digital format at the following link:

www.claypaky.com

Ref: FIS017 - Safety Information Axcor series

IT

INFORMAZIONI DI SICUREZZA

IMPORTANTE: Claypaky raccomanda di leggere accuratamente e conservare le informazioni di sicurezza relative a questo prodotto, sempre reperibili in versione digitale al seguente link:

www.claypaky.com

Rif: FIS017 - Safety Information Axcor series

DE

INFORMATIONEN ZUR SICHERHEIT

WICHTIG: Claypaky empfiehlt, die Sicherheitsinformationen bezüglich dieses Produkts genau zu lesen und aufzubewahren. Sie sind in Digitalversion immer unter folgendem Link auffindbar:

www.claypaky.com

Ref: FIS017 - Safety Information Axcor series

ES

INFORMACIONES DE SEGURIDAD

IMPORTANTE: Claypaky recomienda leer detenidamente y conservar la información de seguridad relativa a este producto. Además, está disponible una versión digital de la misma en el siguiente enlace:

www.claypaky.com

Ref: FIS017 - Safety Information Axcor series

FR

CONSIGNES DE SÉCURITÉ

IMPORTANT: Claypaky recommande de lire attentivement et de conserver les informations de sécurité relatives à ce produit, disponibles en version digitale au lien suivant:

www.claypaky.com

Réf. : FIS017 - Safety Information Axcor series

RU

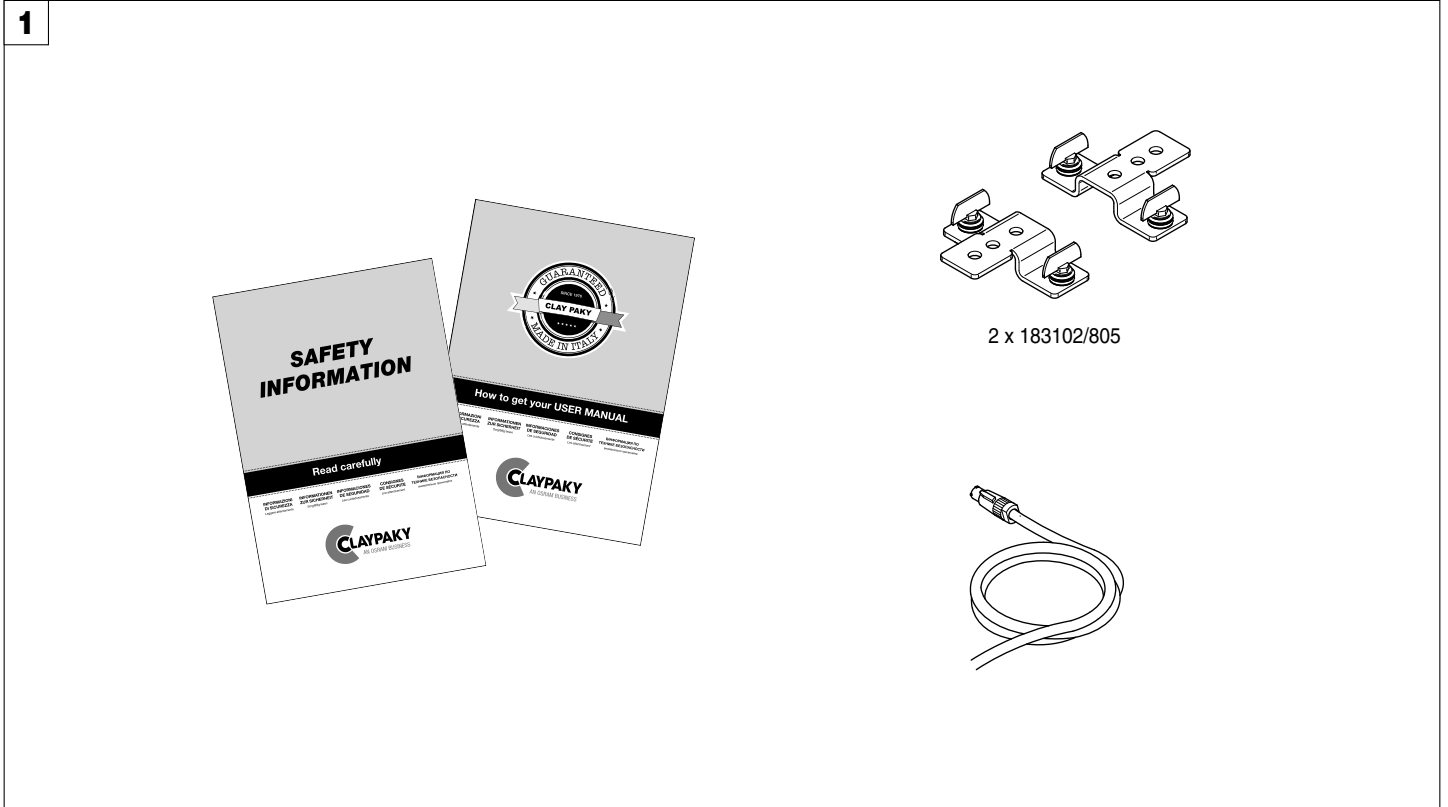
ИНСТРУКЦИЮ ПО ТЕХНИКЕ БЕЗОПАСНОСТИ

ВАЖНО: Claypaky рекомендует внимательно прочитать и сохранить инструкцию по технике безопасности данного изделия, которая всегда доступна в электронном формате по следующей ссылке:

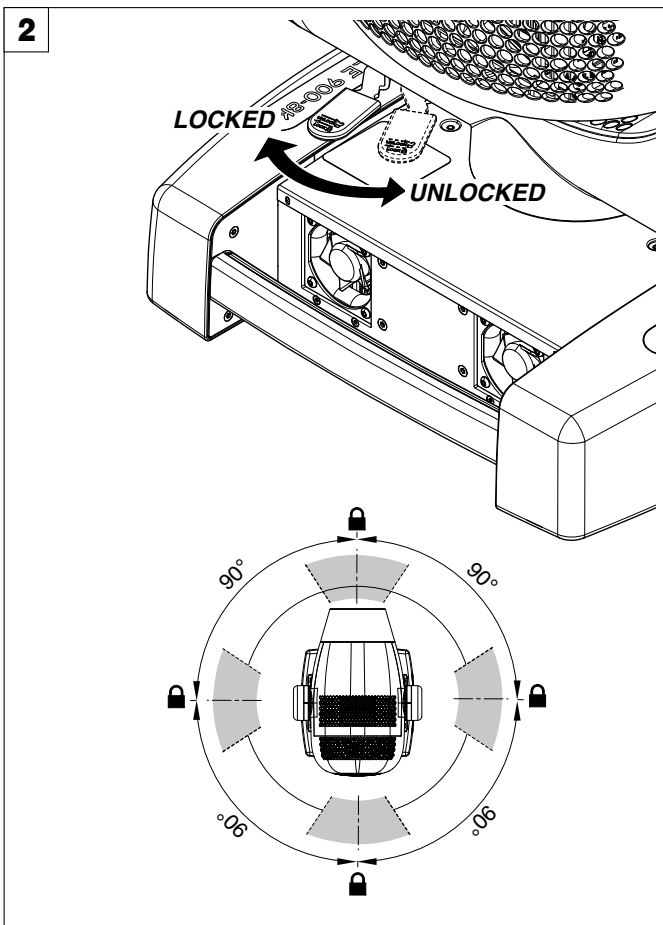
www.claypaky.com

Наименование: FIS017 - Safety Information Axcor series

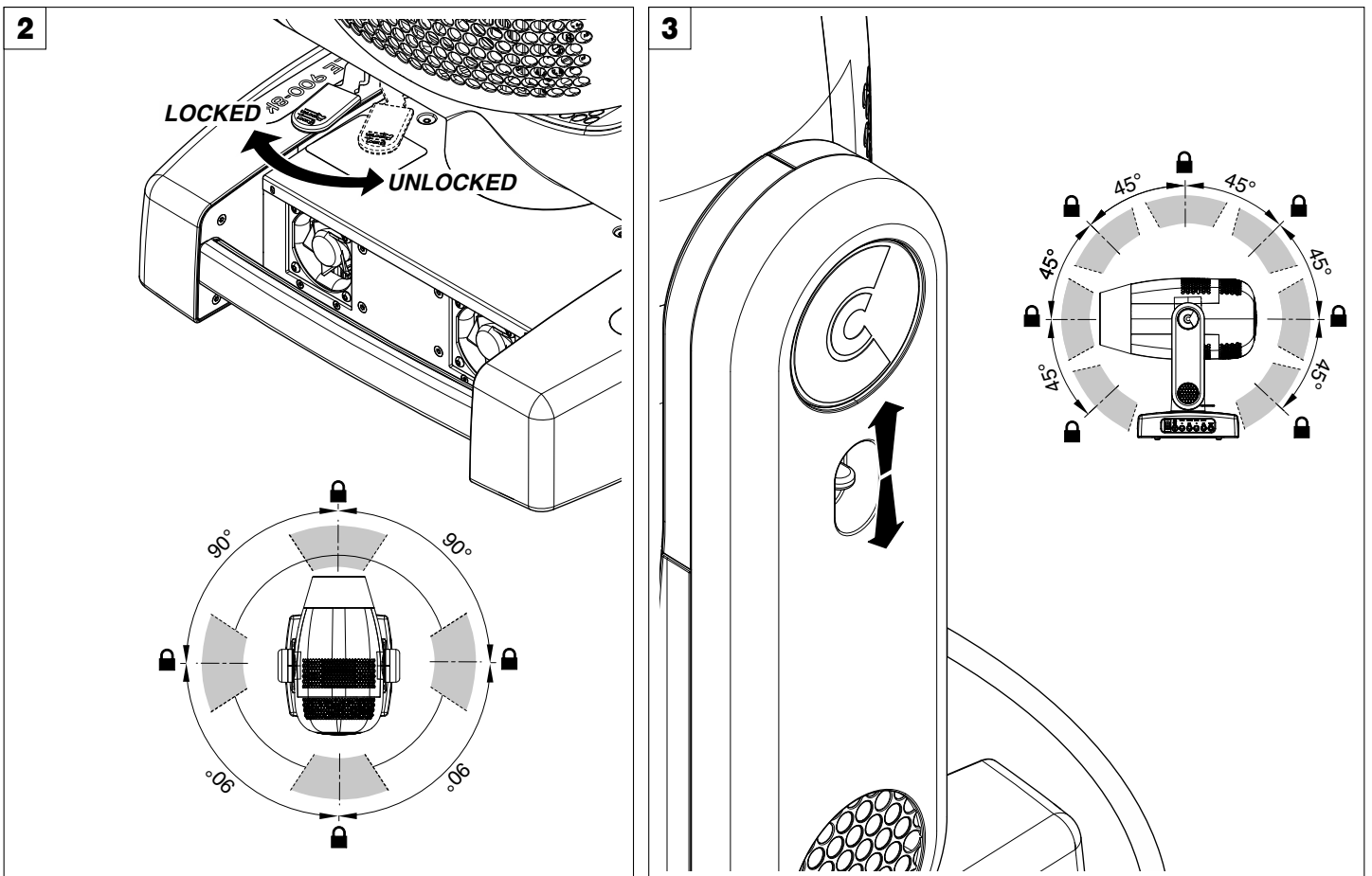
UNPACKING AND PREPARATION



Packing contents - Fig. 1



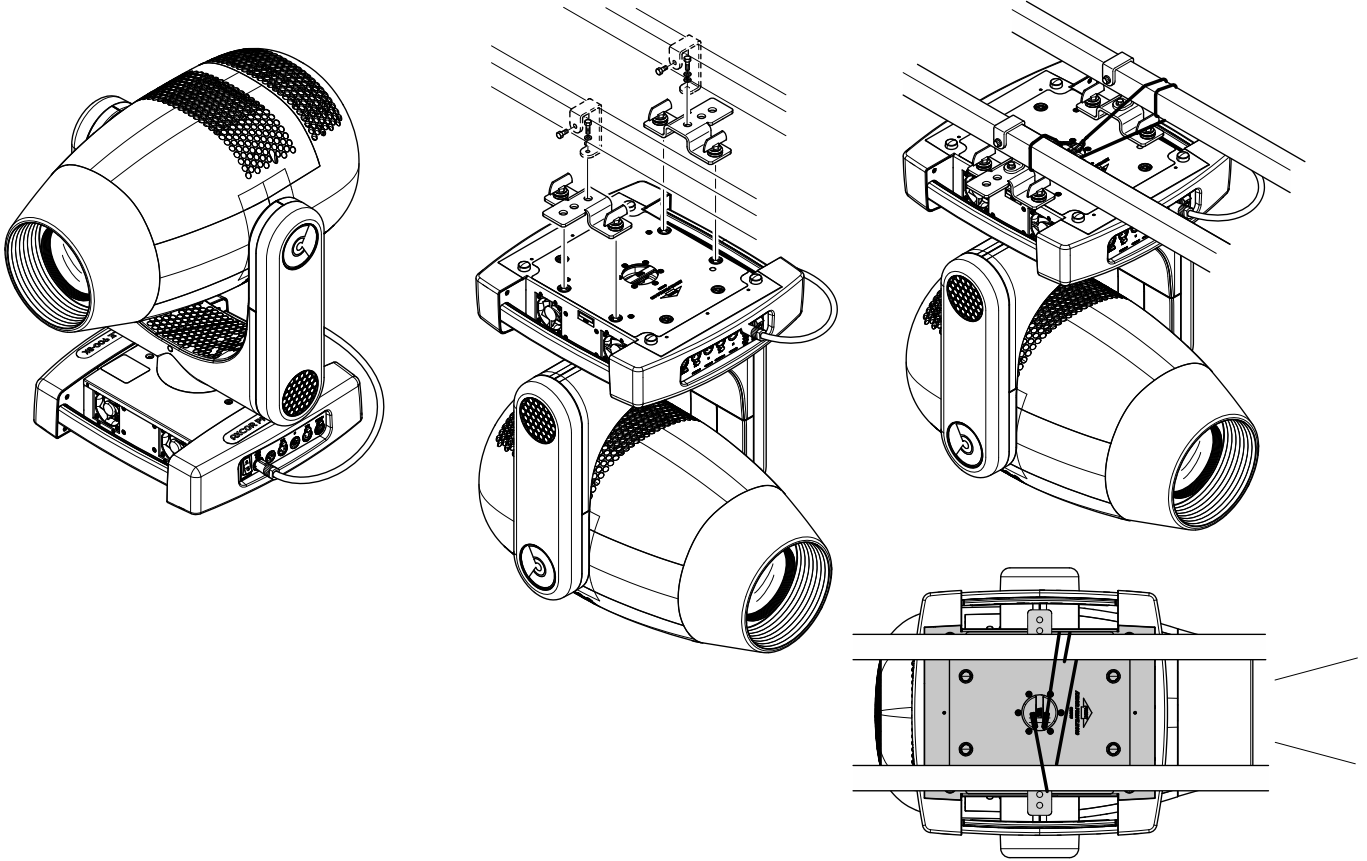
PAN Mechanism Lock and Release (every 90°) - Fig. 2



TILT Mechanism Lock and Release (every 45°) - Fig. 3

INSTALLATION AND START-UP

4

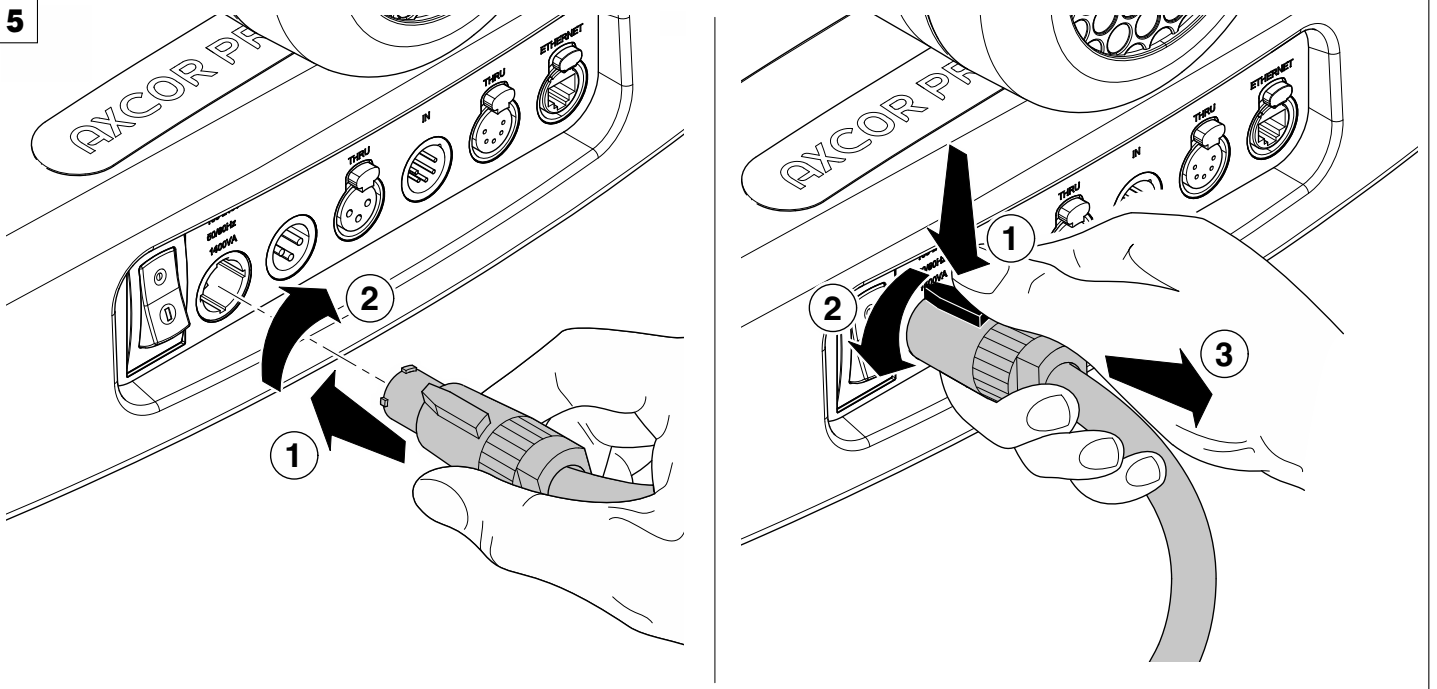


Installing the projector - Fig. 4

The projector can be installed on the floor resting on special rubber feet, on a truss or on the ceiling or wall.

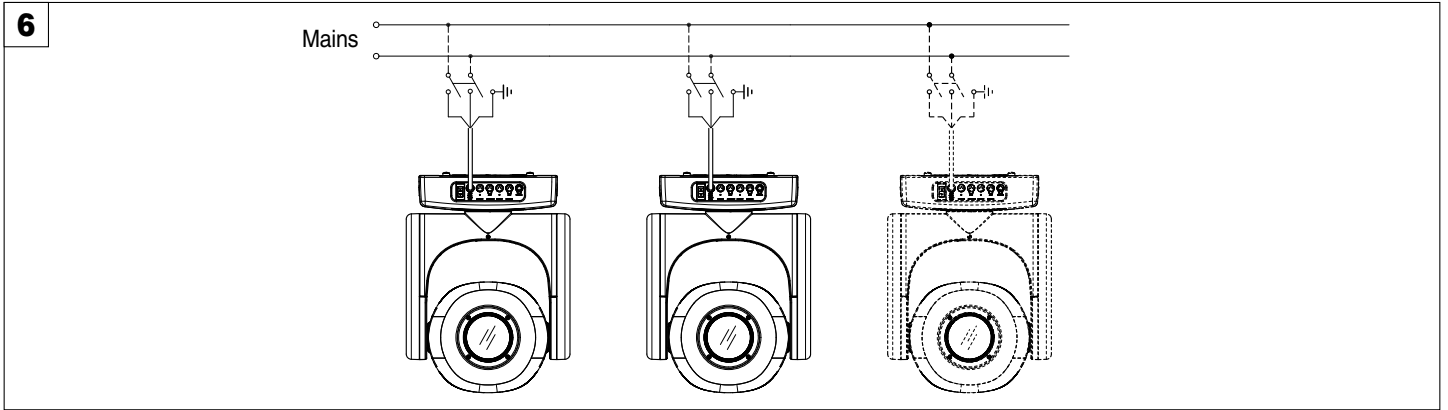
WARNING: with the exception of when the projector is positioned on the floor, the safety cable must be fitted. (Cod. 105041/003 available on request). This must be securely fixed to the support structure of the projector and then connected to the fixing point at the centre of the base.

5

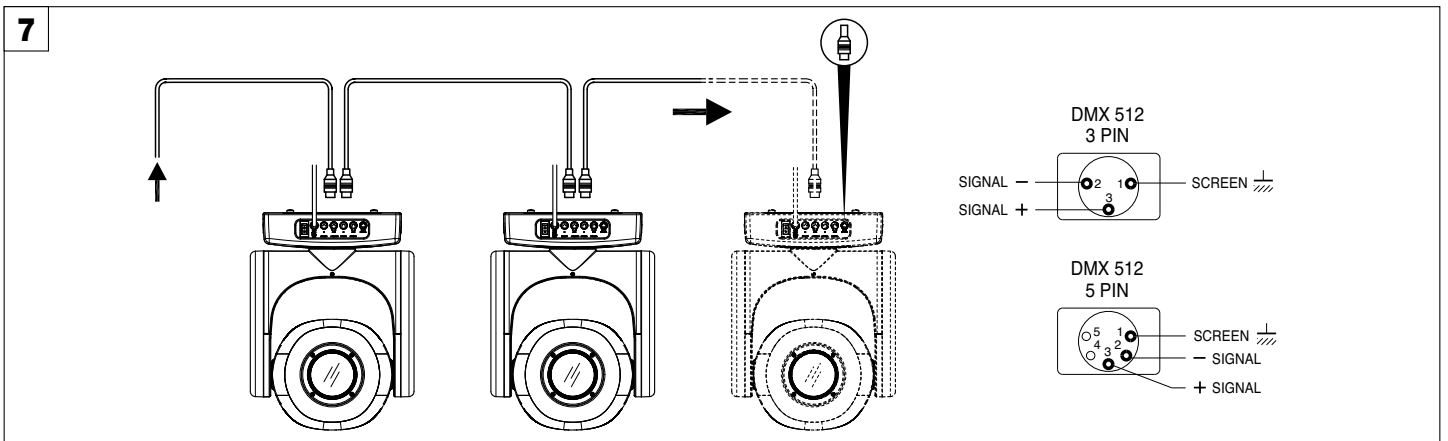


Connecting and disconnecting power cable - Fig. 5

CONTROL PANEL



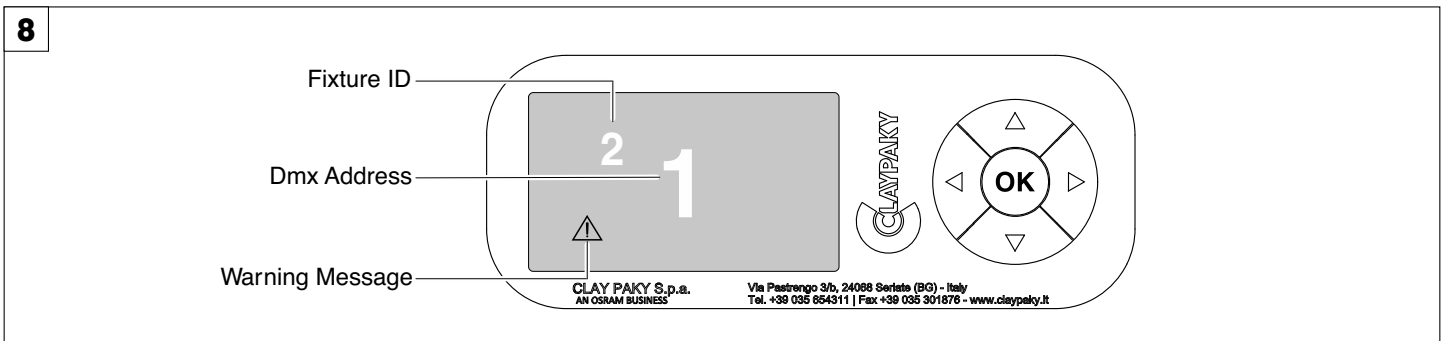
Connecting to the mains supply - Fig. 6



Connecting to the control signal line (DMX) - Fig. 7


Use a cable conforming to specifications EIA RS-485: 2-pole twisted, shielded, 120Ohm characteristic impedance, 22-24 AWG, low capacity. Do not use microphone cable or other cable with characteristics differing from those specified. The end connections must be made using XLR type 3 or 5 pin male/female connectors. A terminating plug must be inserted into the last projector with a resistance of 120Ohm (minimum 1/4 W) between terminals 2 and 3.

IMPORTANT: The wires must not make contact with each other or with the metal casing of the connectors. The casing itself must be connected to the shield braid and to pin 1 of the connectors.



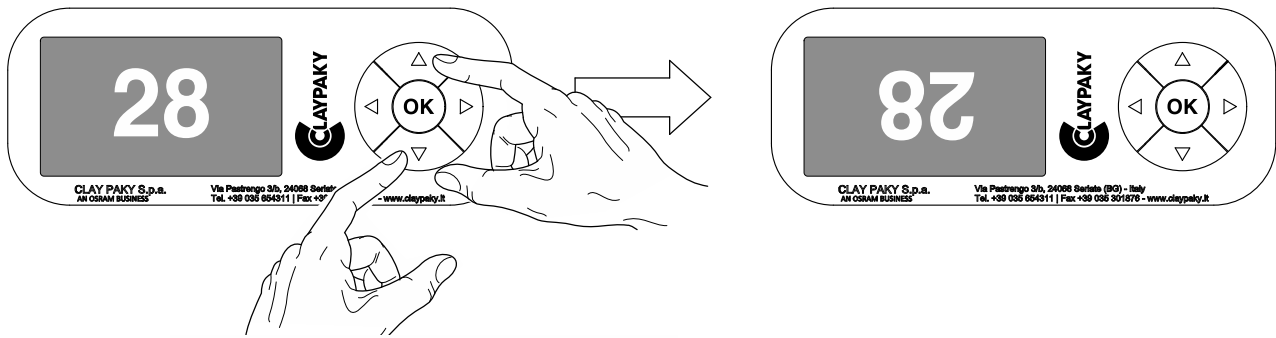
Switching on the projector - Fig. 8

Press the switch. The projector starts resetting the effects. At the same time, the following information scrolls on the display:

	Model Axcor Profile 900	Firmware Version X.X.X Date - Hour	xxx (Fixture ID) Dmx Address xxx	System errors E: W:
---	--------------------------------------	---	-------------------------------------	--

On conclusion of resetting in case of absence of the dmX signal, Pan and Tilt move to the "Home" position (Pan 128 bit - Tilt 128 bit). The control panel (Fig. 8) has a display and buttons for the complete programming and management of the projector menu. The display can be in one of two conditions: rest status and setting status. When it is in the rest status, the display shows the projector's DMX address and the Fixture ID address (if set).

During menu setting status, after a wait time (about 30 seconds) without any key having been pressed, the display automatically returns to rest status. It should be noted that when this condition occurs, any possible value that has been modified but not yet confirmed with the **OK** key will be cancelled.



Reversal of the display - Fig. 9

To activate this function, press UP and DOWN keys simultaneously while the display is in the rest mode. This status will be memorised and maintained even for the next time it will be switched on. To return to the initial state, repeat the operation all over again.

Setting the projector starting address

On each projector, the starting address must be set for the control signal (addresses from 1 to 512).

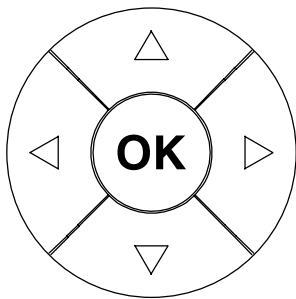
The address can also be set with the projector switched off.

Setting the projector Fixture ID

On each projector, the Fixture ID address must be set for an easy identification of the fixtures in an installation (ID from 1 to 255).

The Fixture ID address can be set with the projector switched off.

Functions of the buttons - Using the menu



Confirms the displayed value, or activates the displayed function, or enters the successive menu.



DOWN

Decreases the value displayed (with auto-repetitions) or passes to the next item in the menu.



UP

Increases the value displayed (with auto-repetitions) or passes to the previous item in a menu.



LEFT

Return to the top level



RIGHT

Commute from units, tens, hundreds, in the "Address", "Fixture ID" and "Calibration" menu.

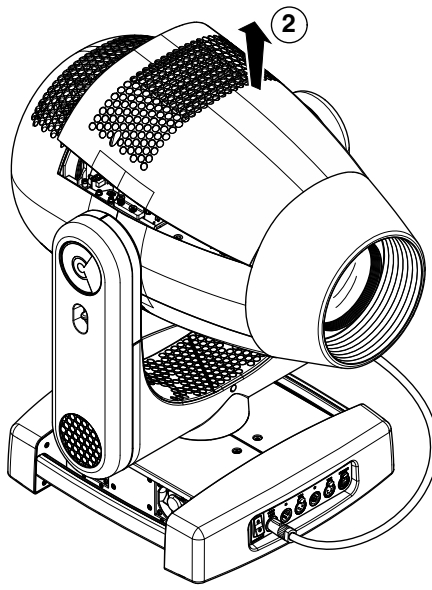
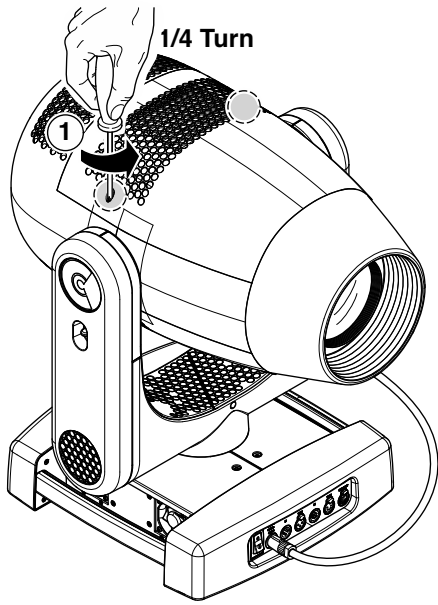
USING THE MENU:

- 1) Press once – "Main Menu" appears on the display.
- 2) Use the UP and DOWN keys to select the menu to be used:
 - Setup (Setup Menu): To set the setting options.
 - Option (Option Menu): To set the operating options
 - Informations (Informations Menu): To read the counters, software version and other information.
 - Manual Control (Manual control Menu): To trigger the test and manual control functions.
 - Test (Test Menu): To check the proper functioning of effects
 - Advanced (Advanced Menu): Access to the "Advanced menu" is recommended for a trained technical personnel.
- 3) Press to display the first item in the selected menu.
- 4) Use the UP and DOWN keys to select the MENU items.

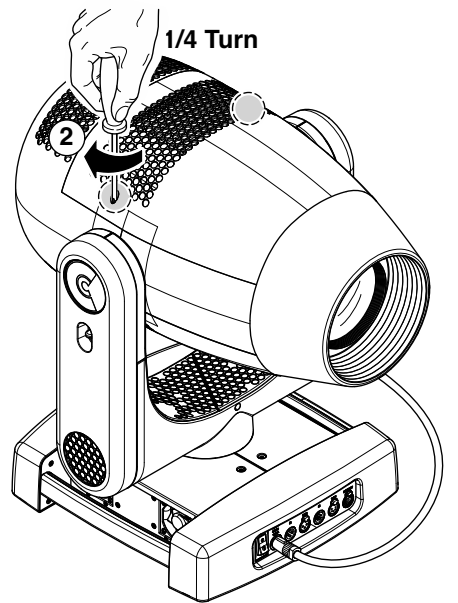
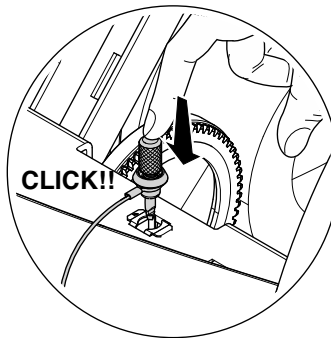
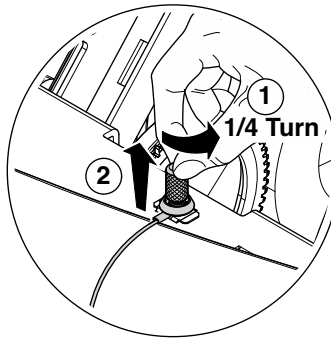
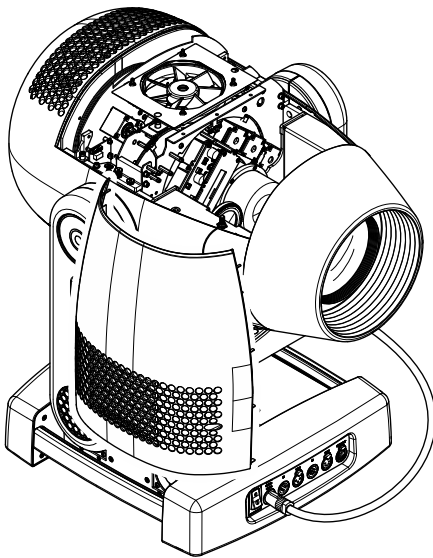
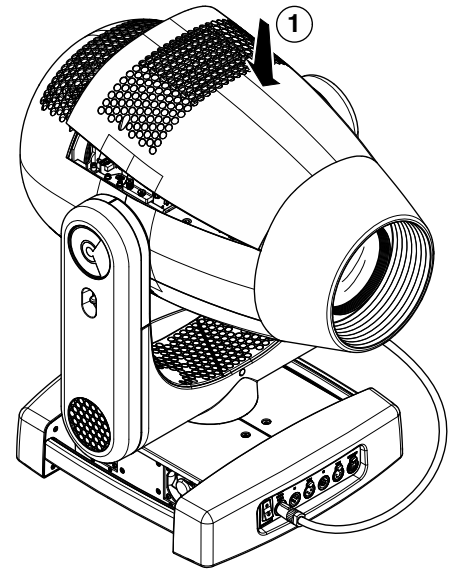
Setting addresses and options with the projector disconnected

The projector's DMX address, as well as other possible operating options, can also be set when the appliance is disconnected from the electricity supply. All that is needed is to press to momentarily activate the display and thus access the settings. Once the required operations have been carried out, the display will switch off again after a wait time of 30 seconds.

10



11



Locking and releasing Pan and Tilt movements - Refer to the instructions in the UNPACKING AND PREPARATION section.
Opening the head covers - Fig. 10.

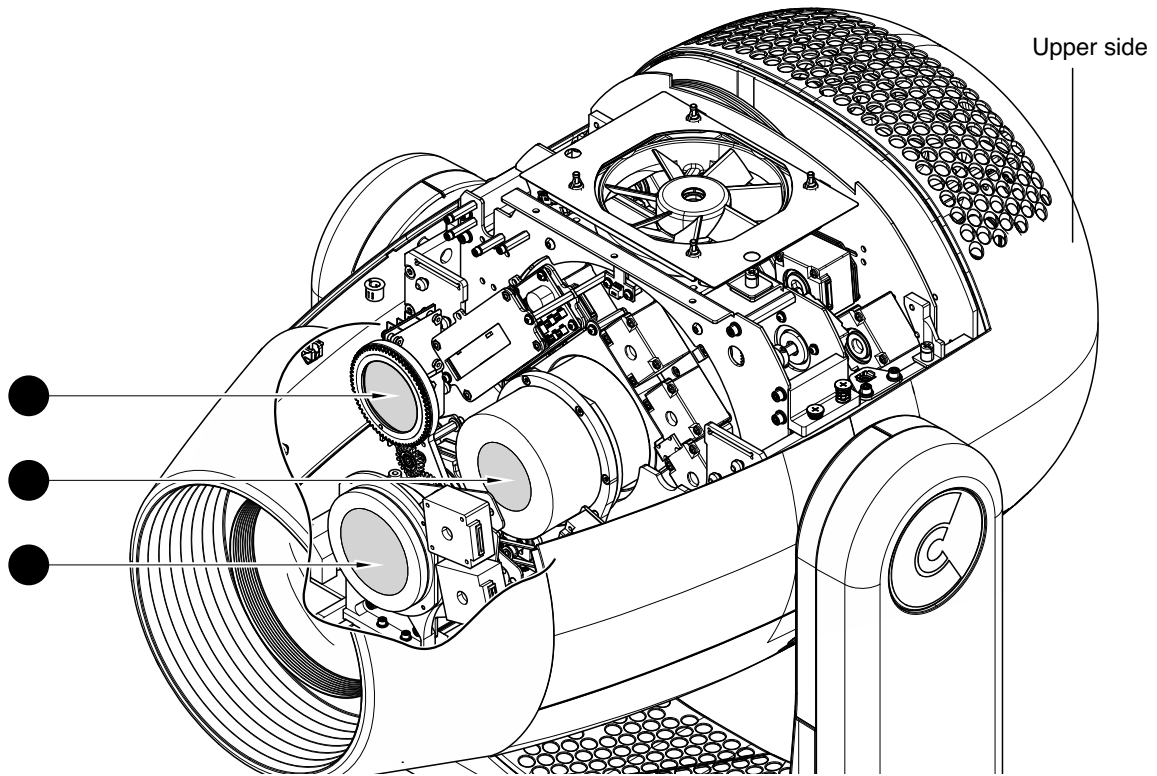
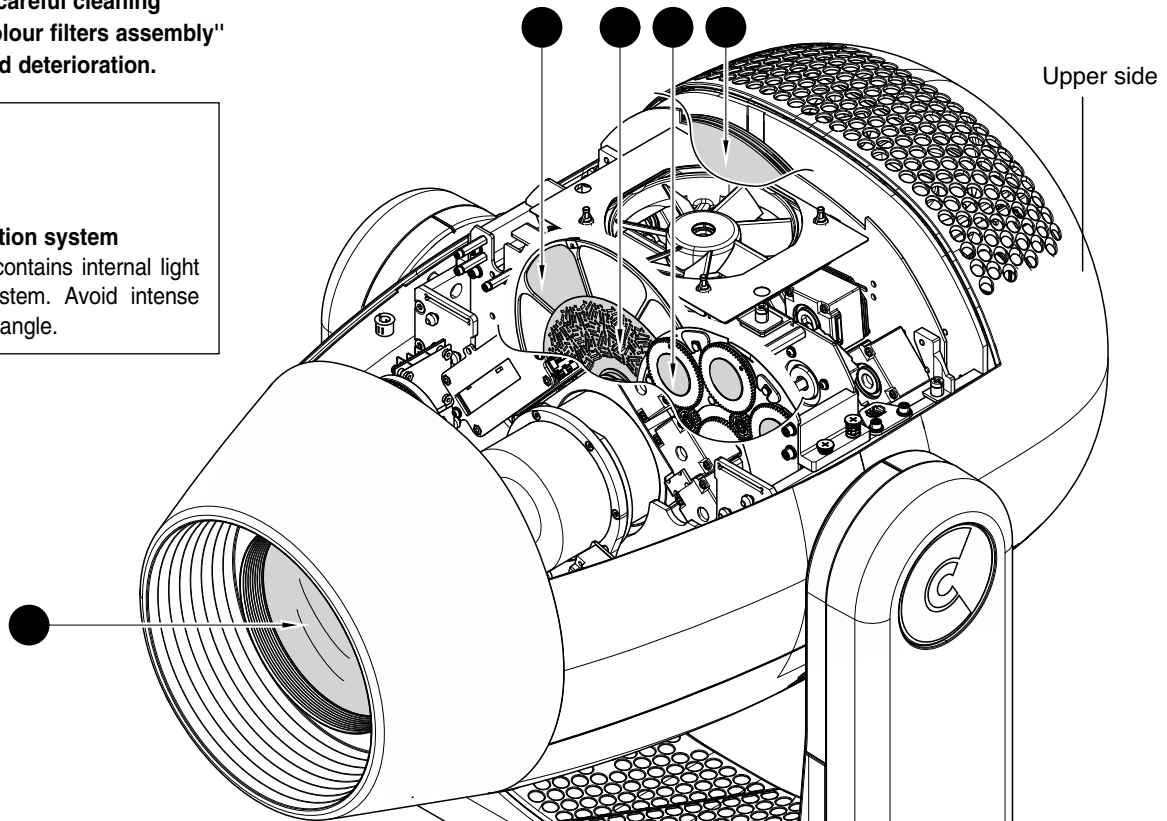
Closing the head covers - Fig. 11.

NOTE: keep a careful cleaning of the "CMY/colour filters assembly" to prevent rapid deterioration.



Light collimation system

This product contains internal light collimation system. Avoid intense light from any angle.



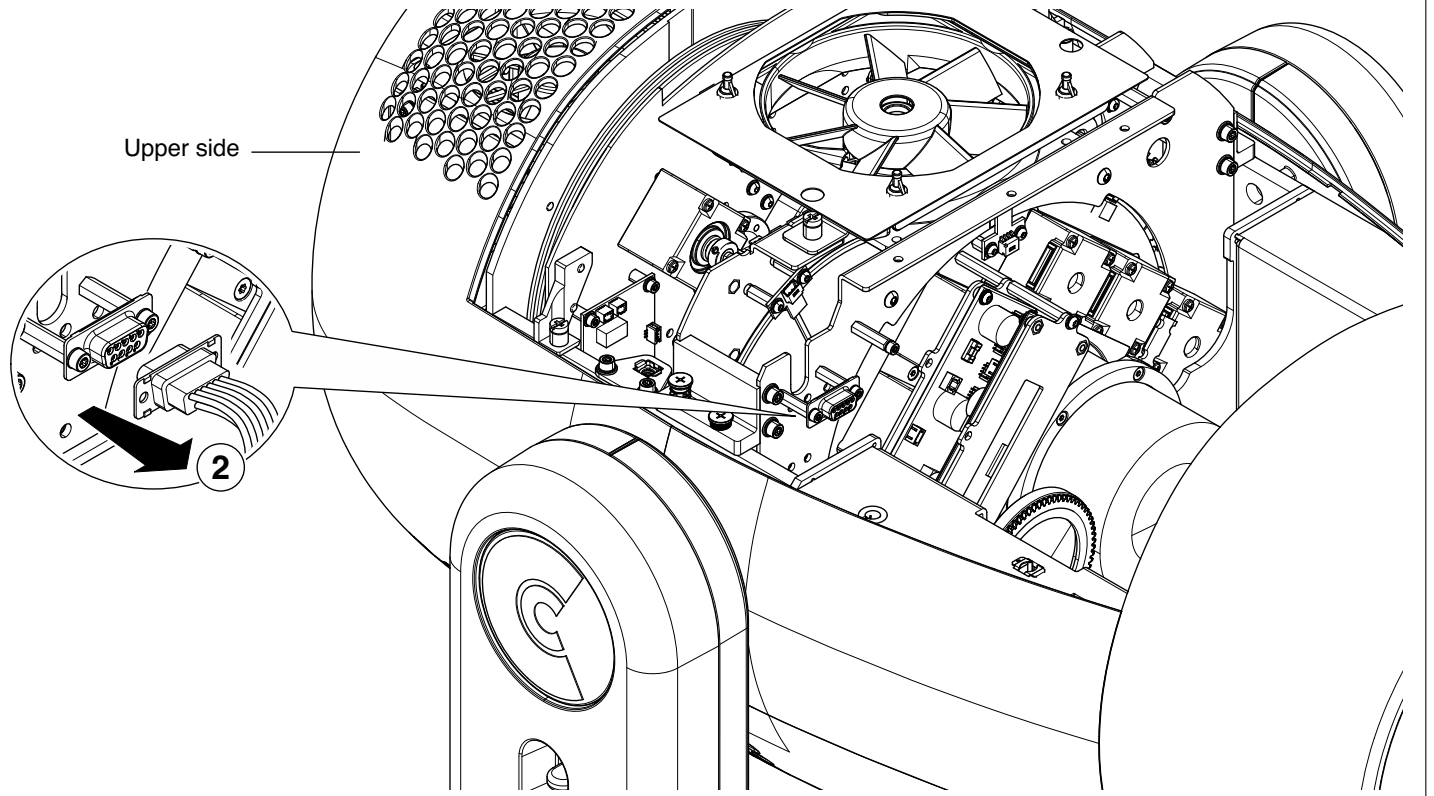
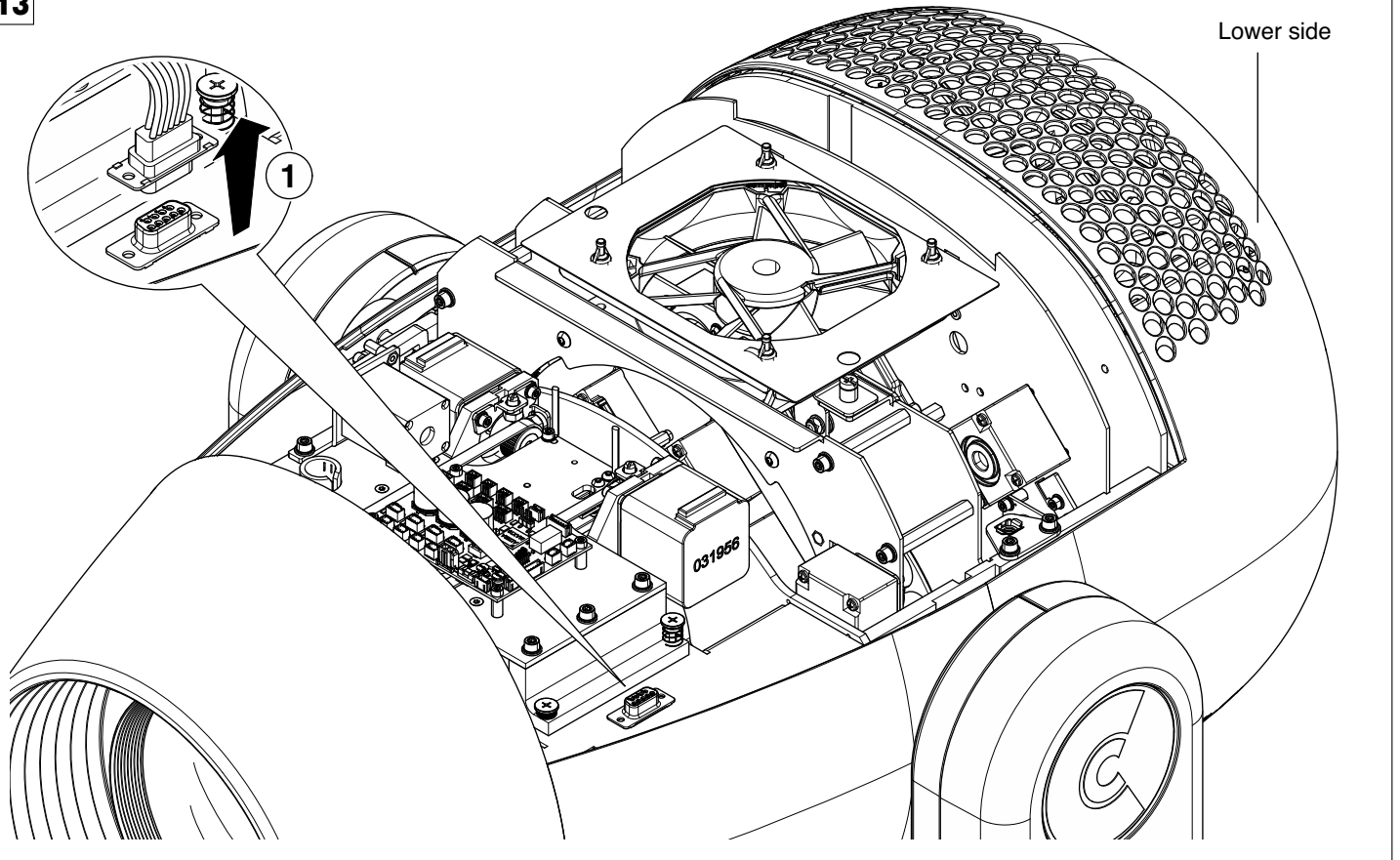
Periodical cleaning - Fig. 12

To ensure optimal operation and performance for a long time it is essential to periodically clean the parts subject to dust and grease deposits. The frequency with which the following operations are to be carried out depends on various factors, such as the amount of the effects and the quality of the working environment (air humidity, presence of dust, salinity, etc.).

Use a soft cloth dampened with any detergent liquid for cleaning glass to remove the dirt from the reflectors, from the lenses and filters. It is recommended that the projector undergoes an annual service by a qualified technician for special maintenance involving at least the following operations:

- General cleaning of internal parts.
- Restoring lubrication of all parts subject to friction, using lubricants specifically supplied by Claypaky.
- General visual check of the internal components, cabling, mechanical parts, etc.
- Electrical, photometric and functional checks; eventual repairs.

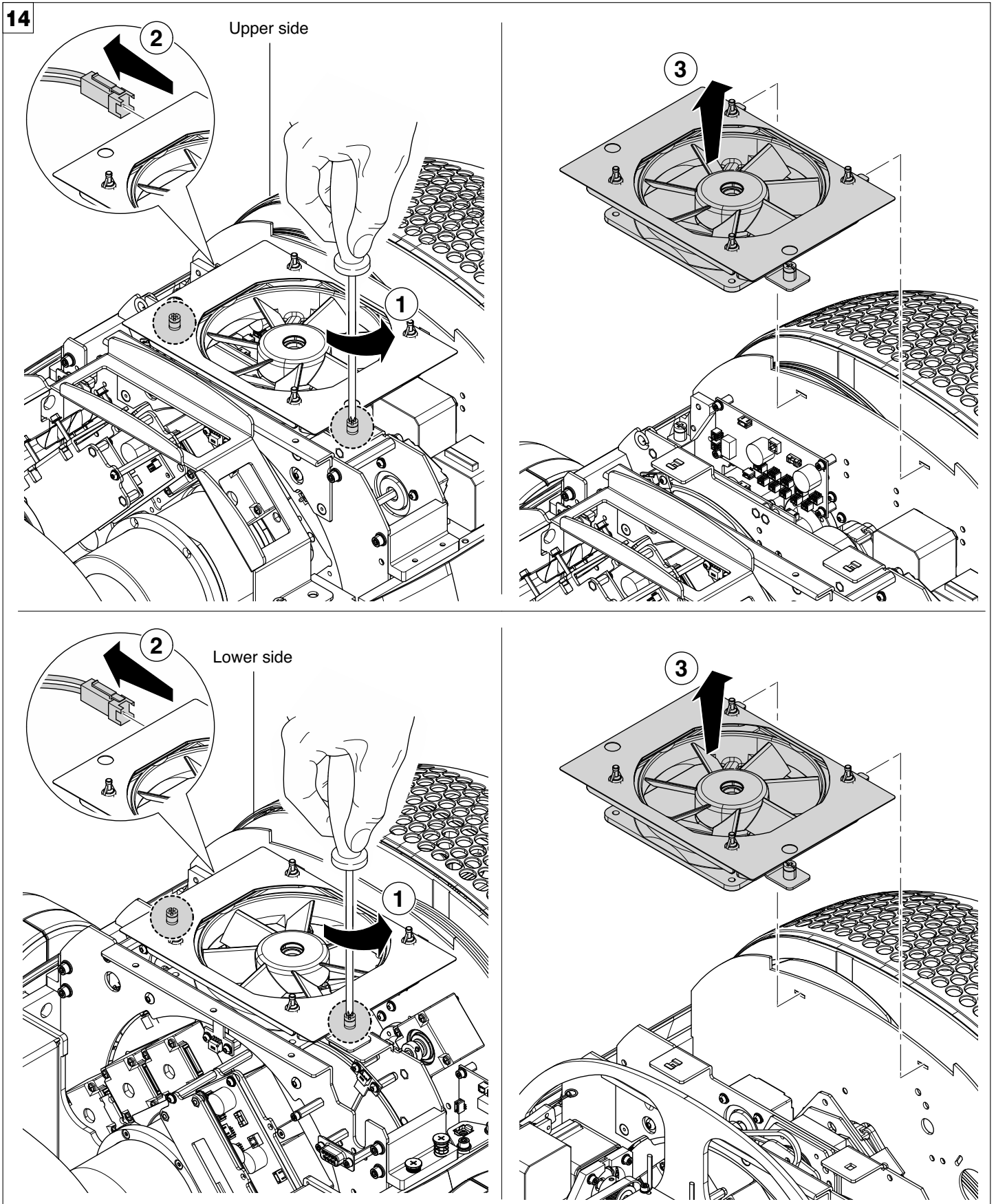
13



Extraction of the effect modules: Preliminary operations - Fig. 13.

NOTE:

- Do not disconnect wiring harnesses when the fixtures is switched-on, to avoid to damage electronic boards.
- Do not switch-on the fixtures with wiring harness disconnected.



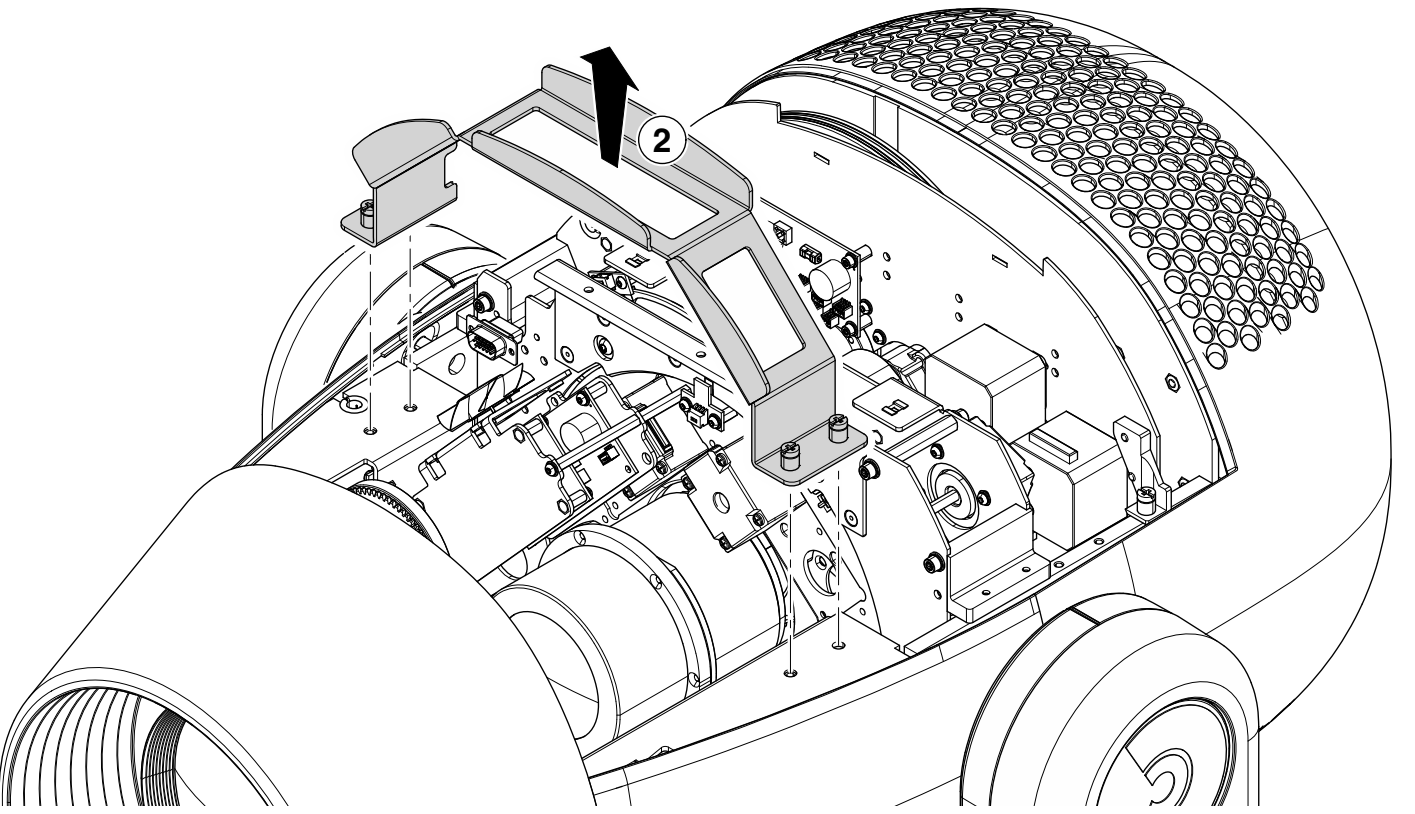
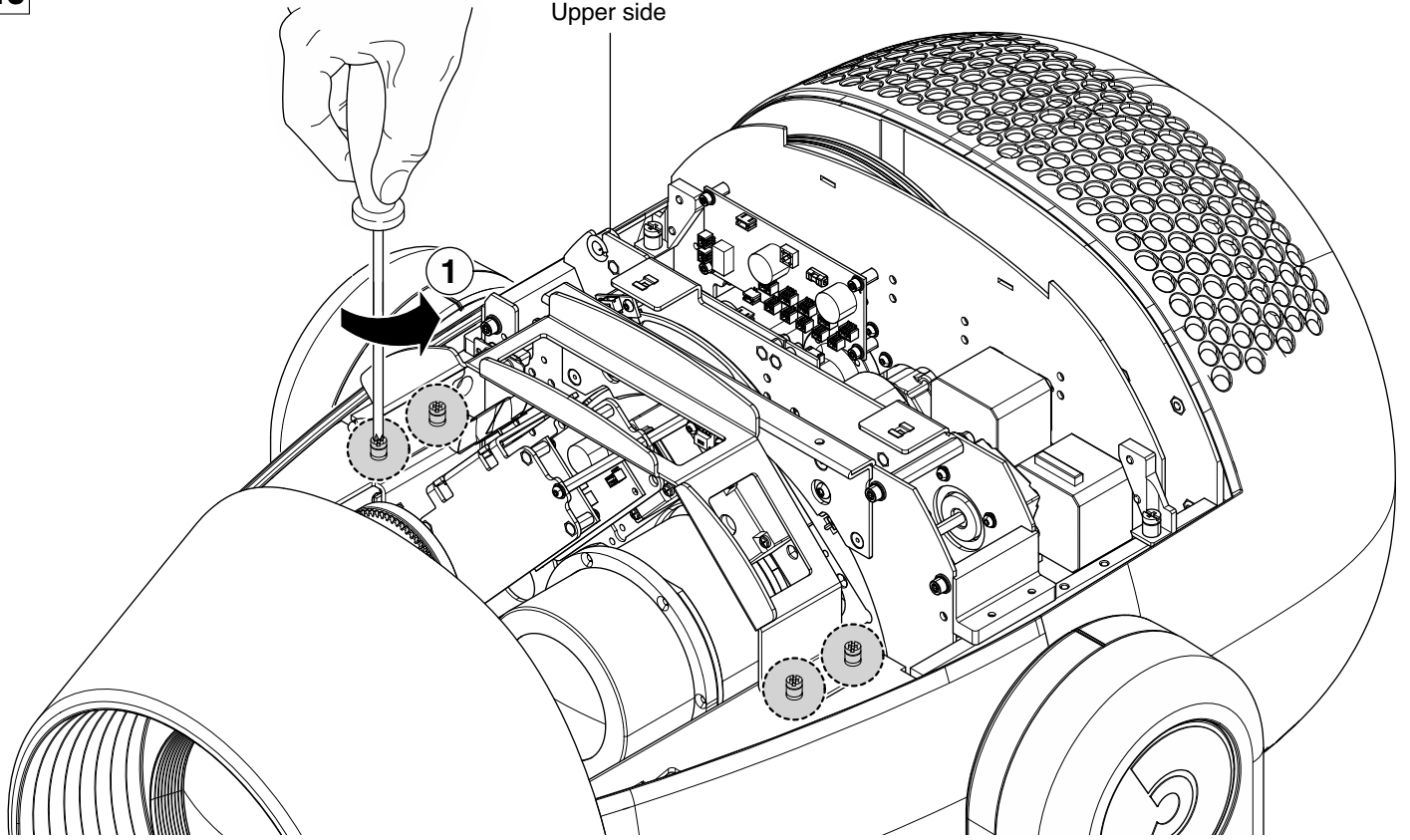
Extraction of the effect modules: Preliminary operations - Fig. 14.

NOTE:

- Do not disconnect wiring harnesses when the fixtures is switched-on, to avoid to damage electronic boards.
- Do not switch-on the fixtures with wiring harness disconnected.

15

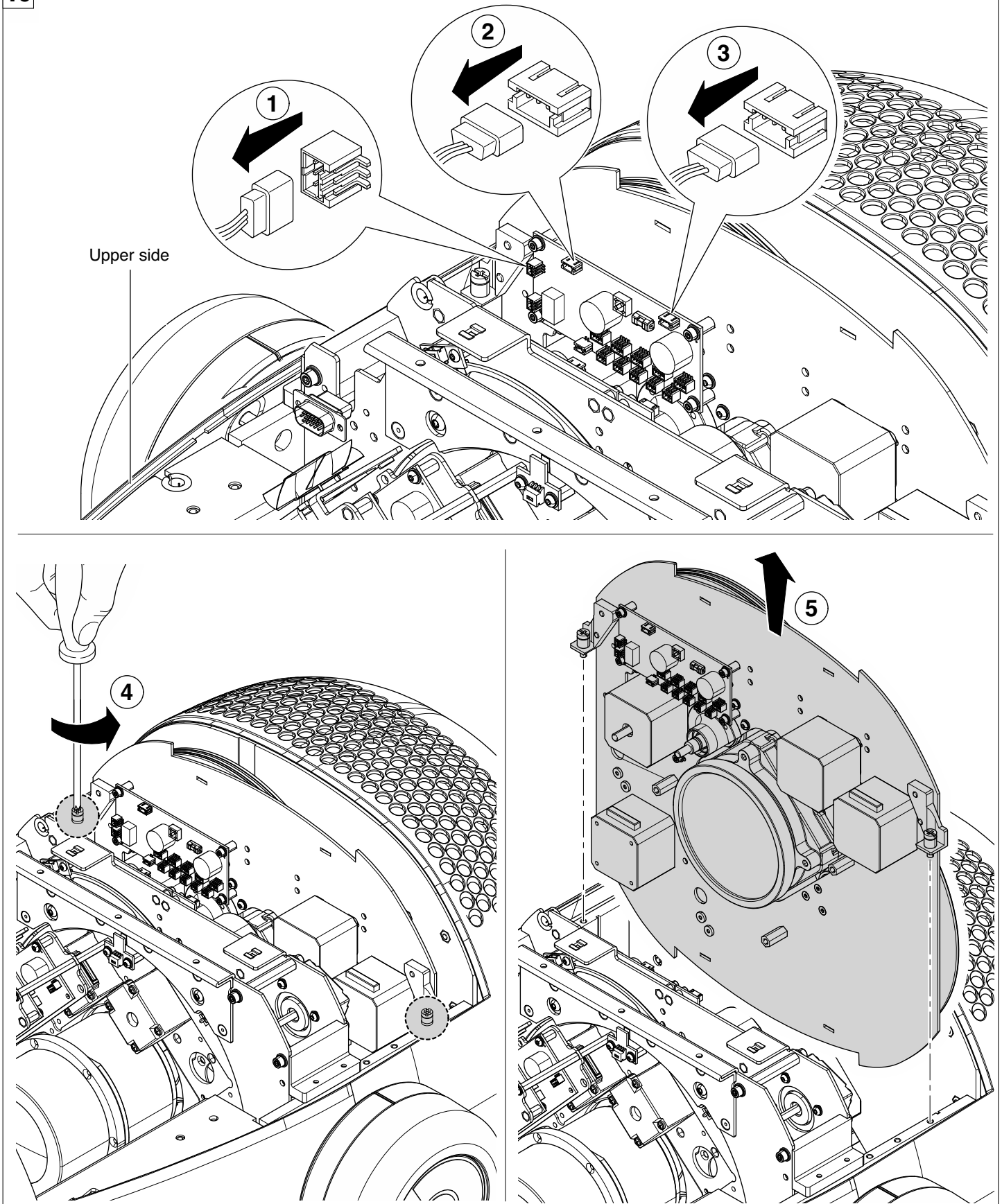
Upper side



Extraction of the effect modules - Fig. 15.

IMPORTANT: Grasp the modules using the support structure and not the details which could get damaged.

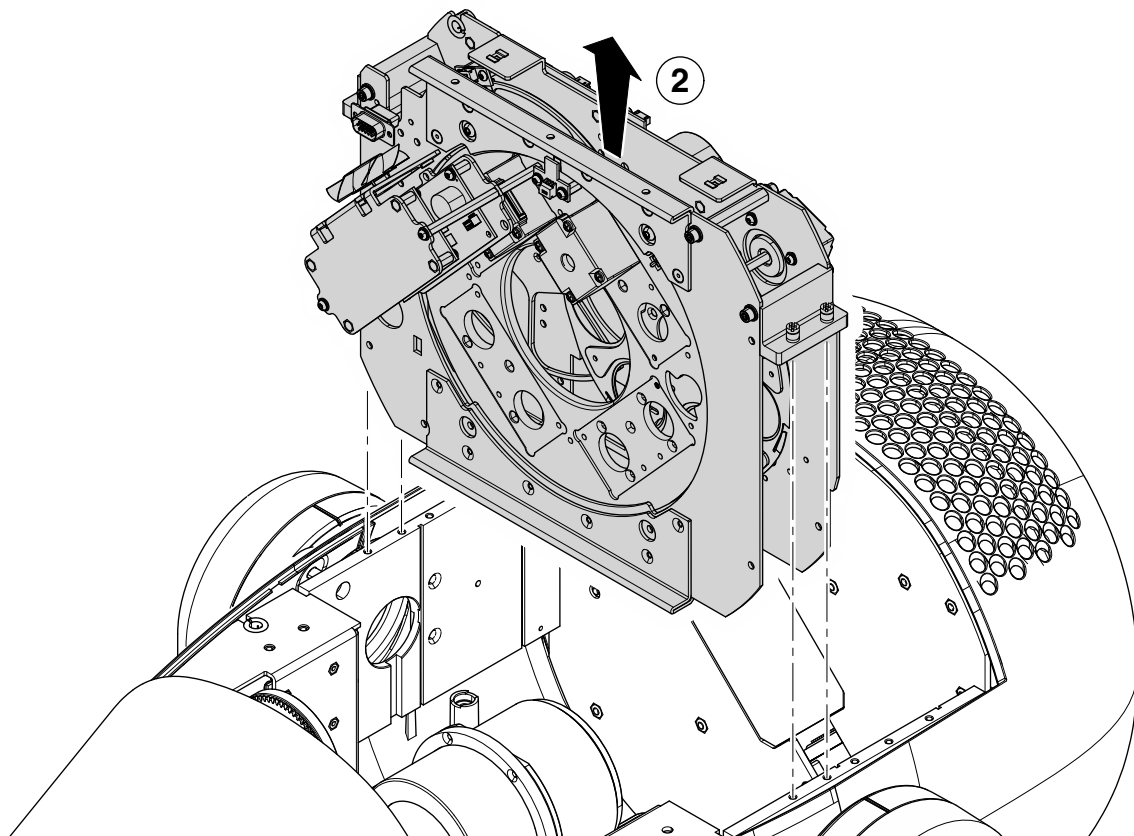
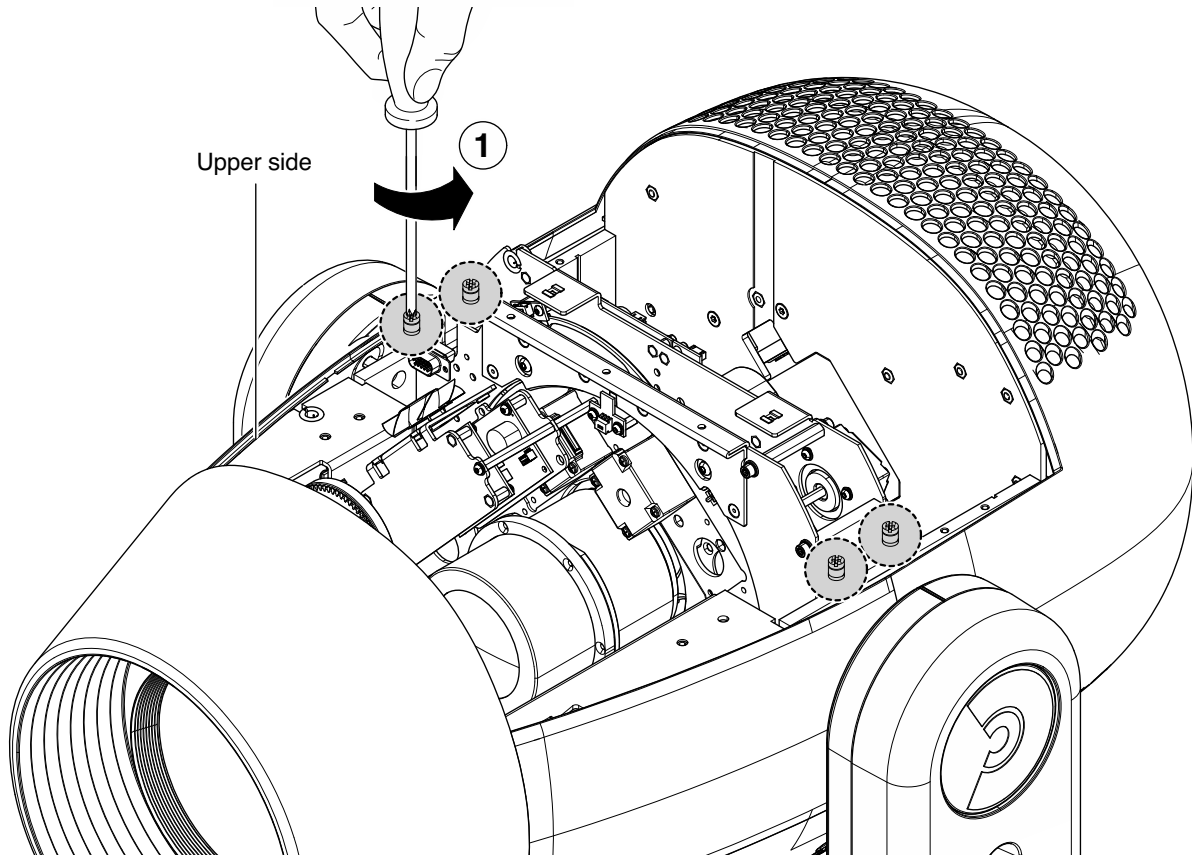
Insertion of the effect modules: Repeat the operations indicated in Fig. 15, 16, 17 and 18 in reverse order.



Extraction of the effect modules - Fig. 16.

IMPORTANT: Grasp the modules using the support structure and not the details which could get damaged.

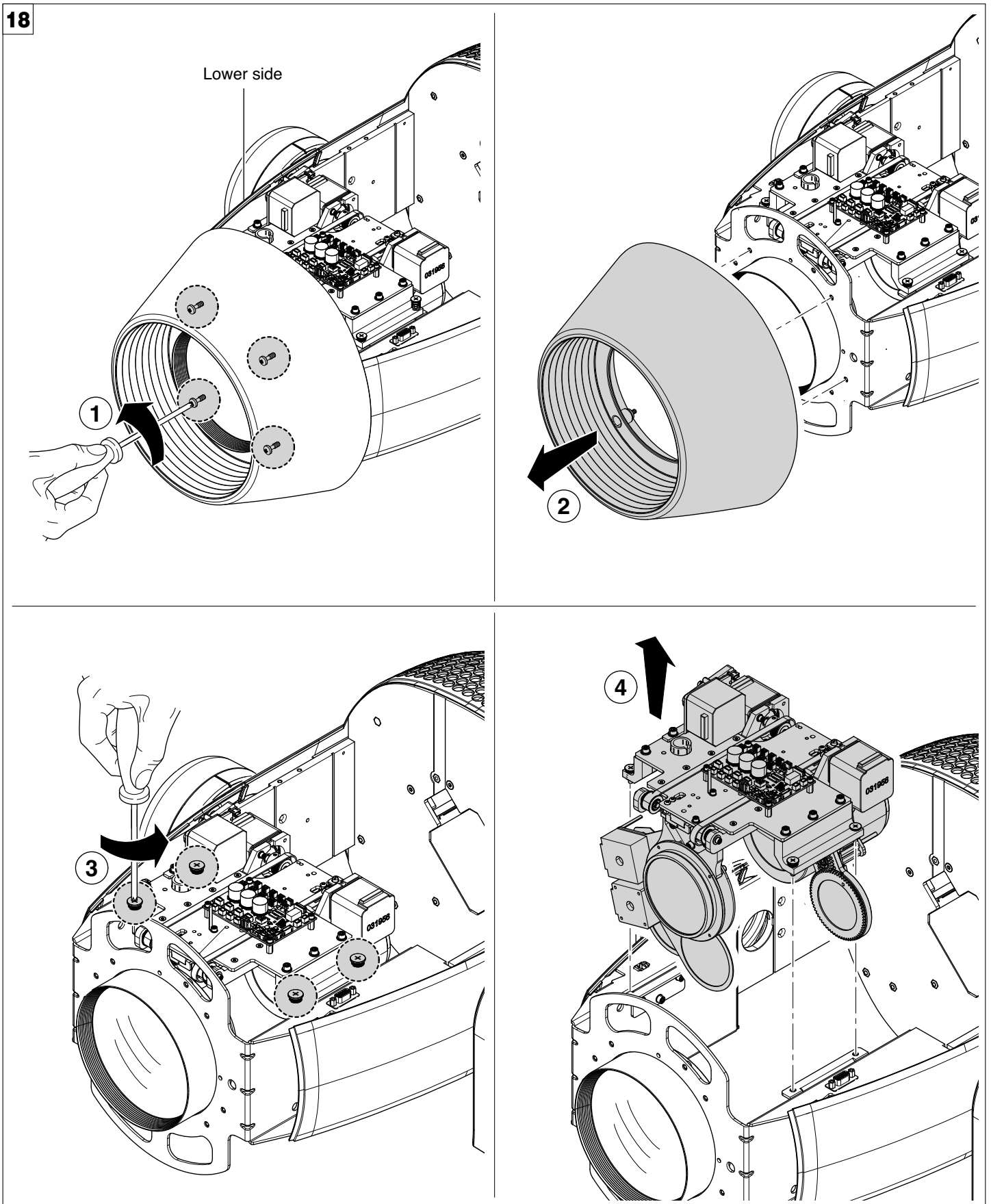
Insertion of the effect modules: Repeat the operations indicated in Fig. 15, 16, 17 and 18 in reverse order.



Extraction of the effect modules - Fig. 17.

IMPORTANT: Grasp the modules using the support structure and not the details which could get damaged.

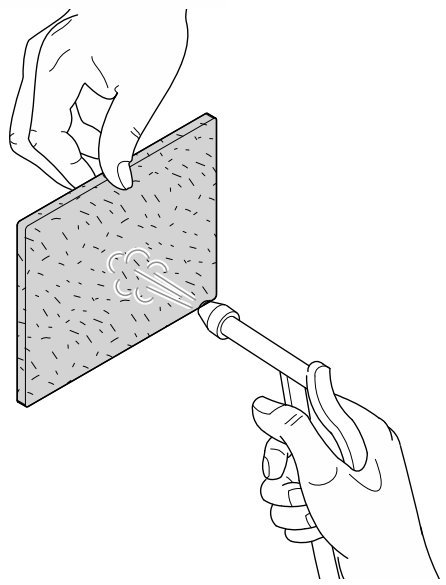
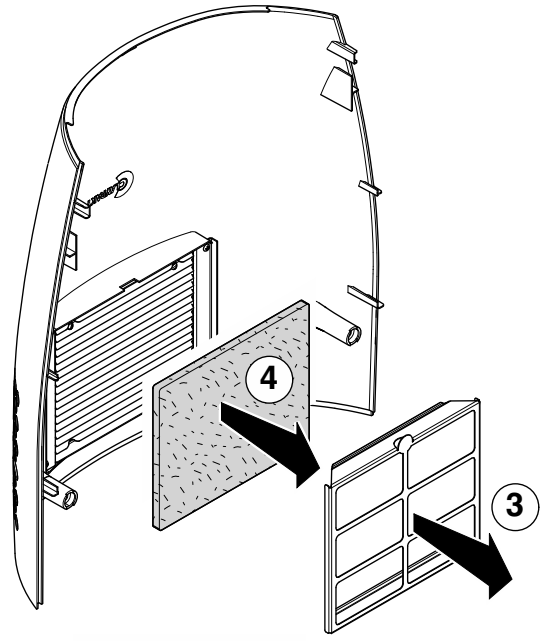
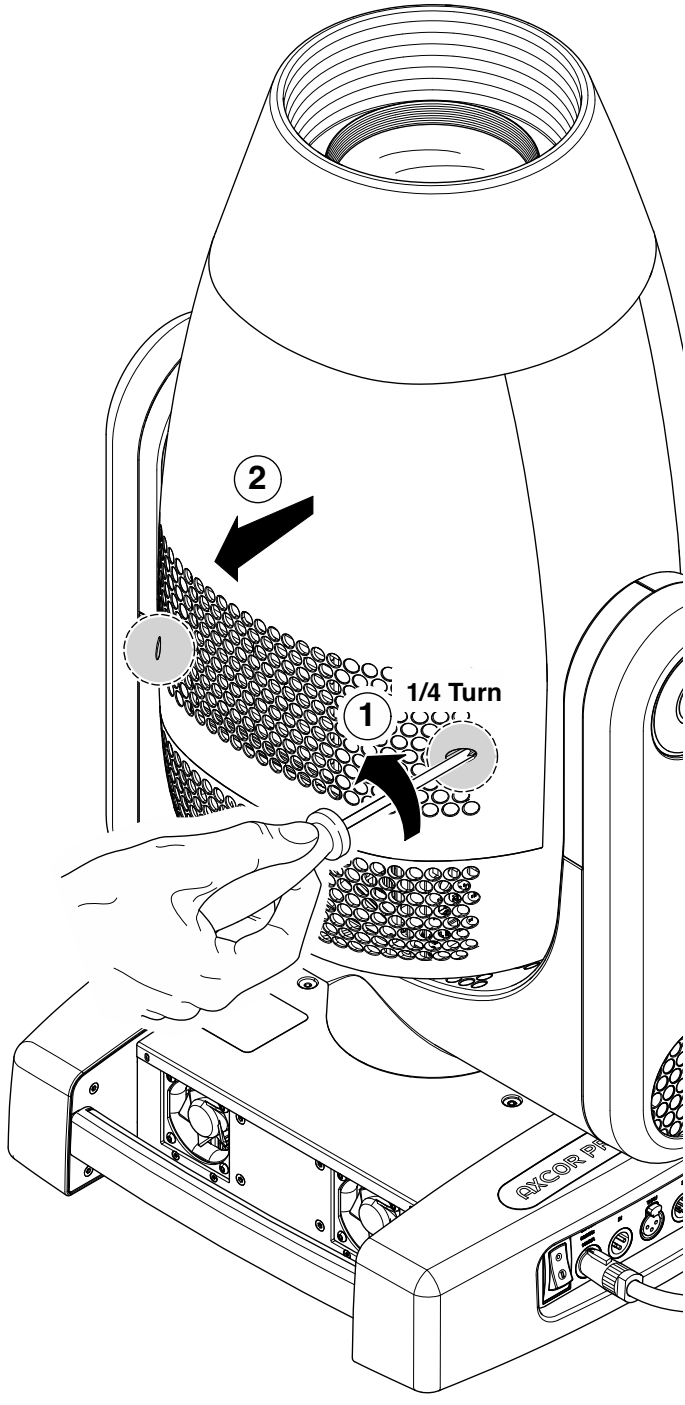
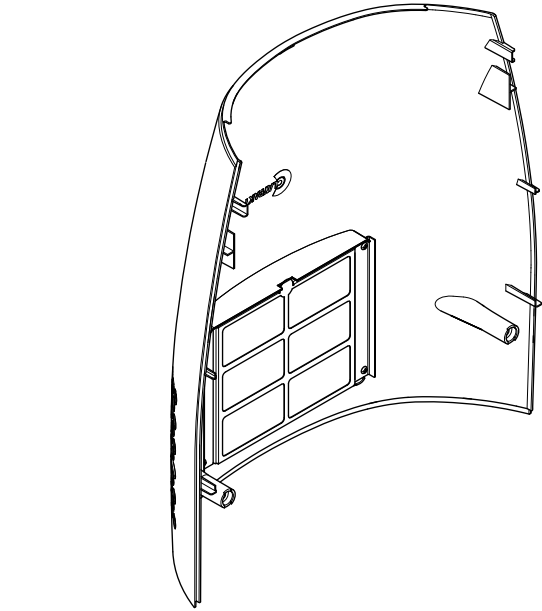
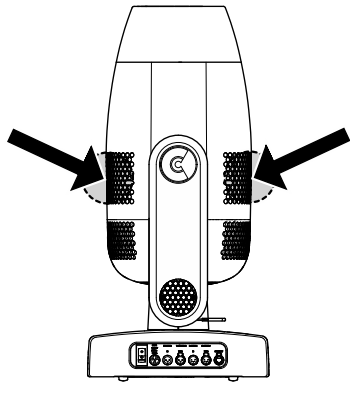
Insertion of the effect modules: Repeat the operations indicated in Fig. 15, 16, 17 and 18 in reverse order.



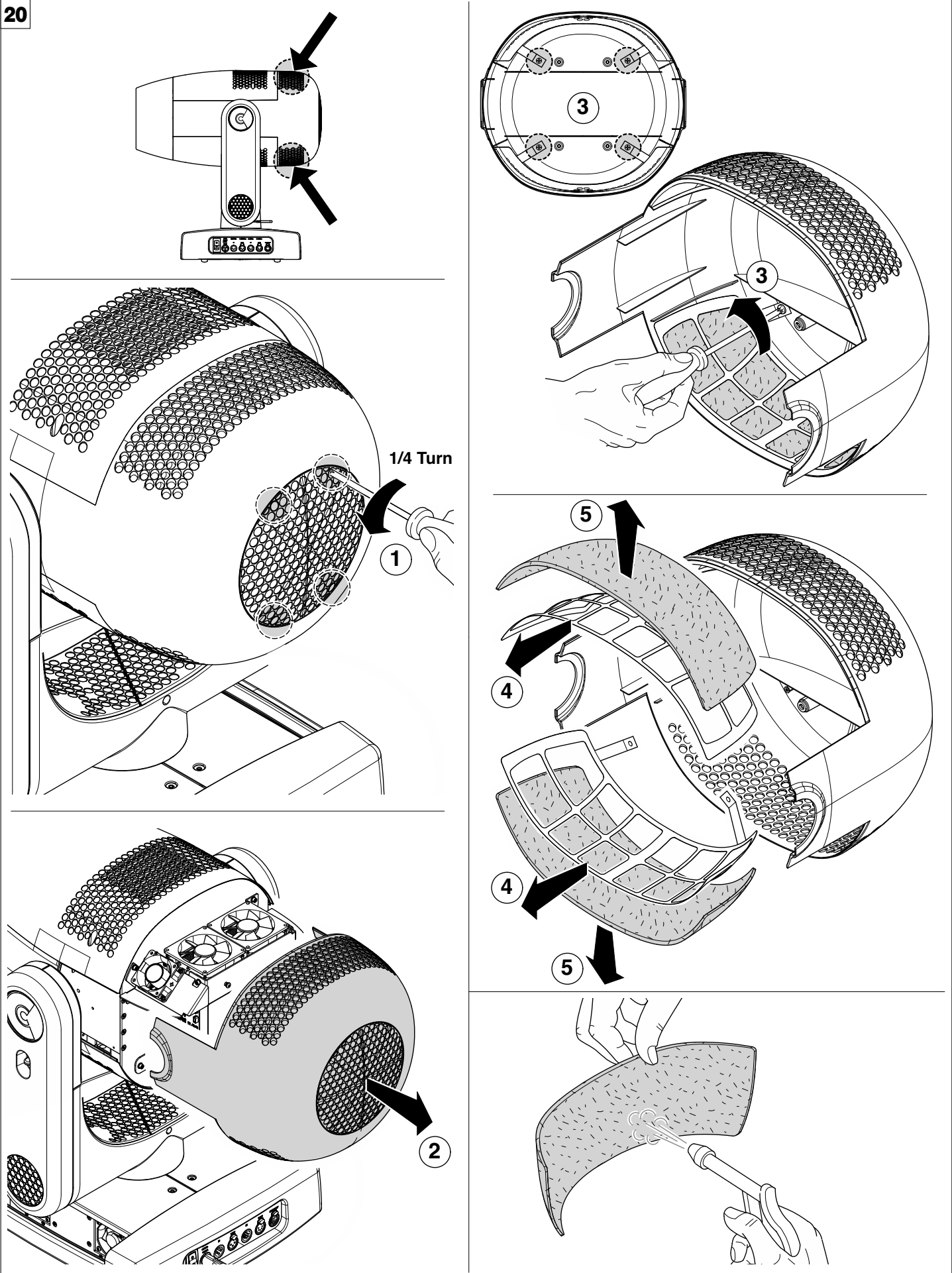
Extraction of the effect modules - Fig. 18.

IMPORTANT: Grasp the modules using the support structure and not the details which could get damaged.

Insertion of the effect modules: Repeat the operations indicated in Fig. 15, 16, 17 and 18 in reverse order.

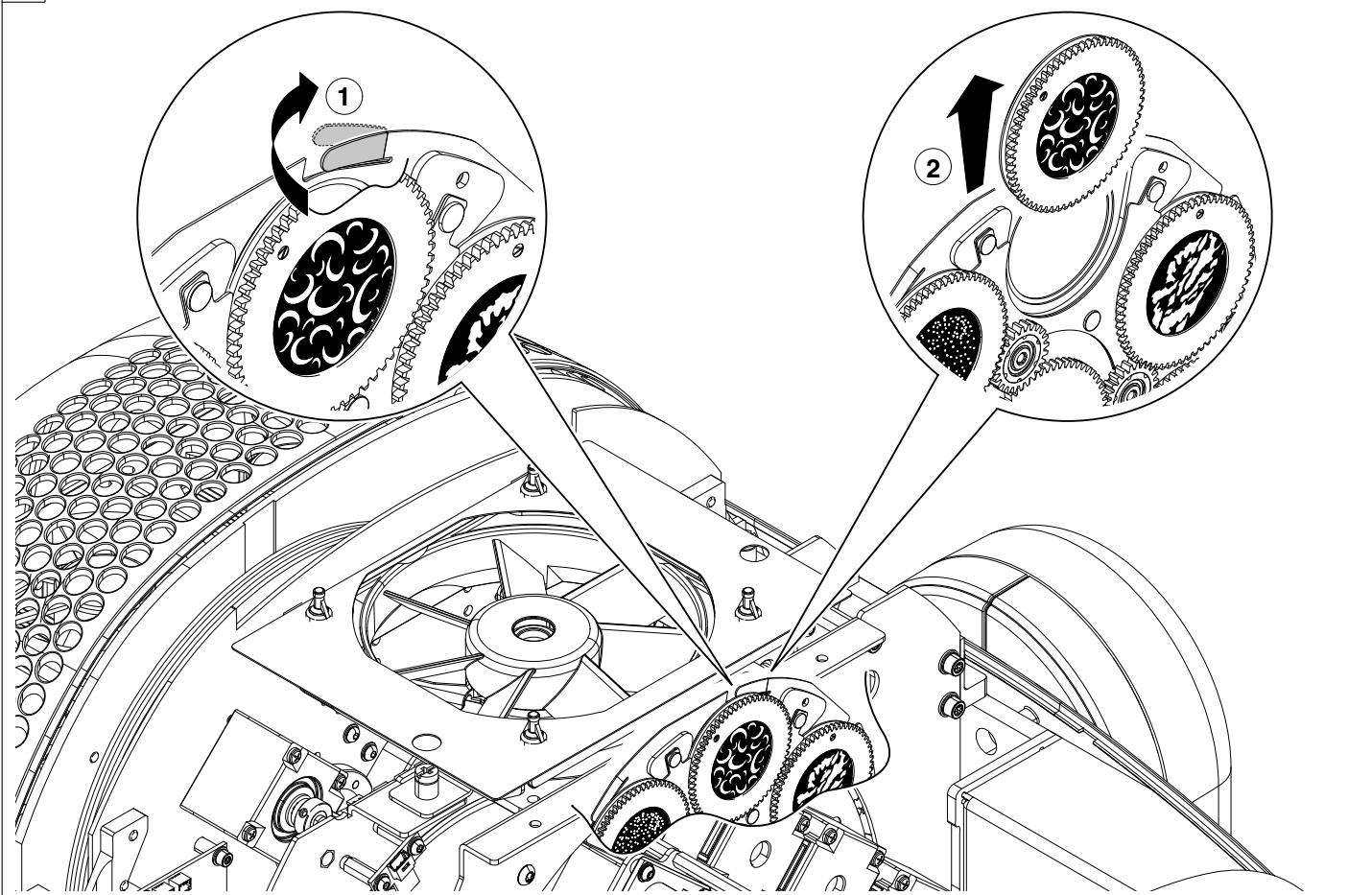


Cleaning of the filters - Fig. 19.



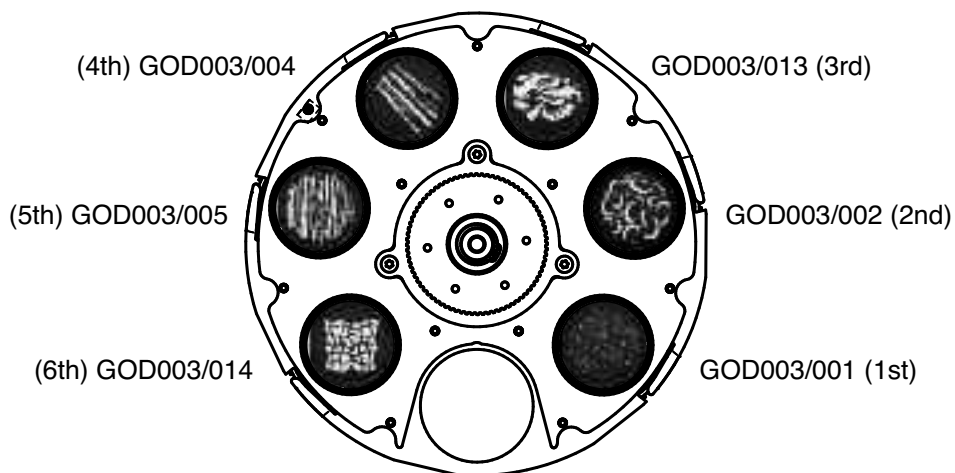
Cleaning of the filters - Fig. 20.

21



Bearing group replacement - Fig. 21

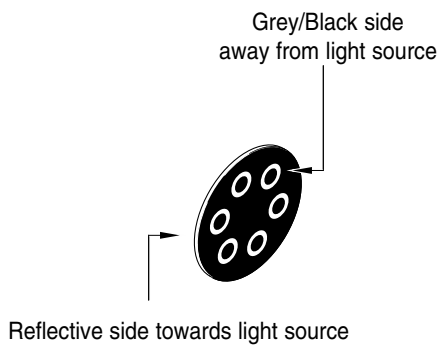
22



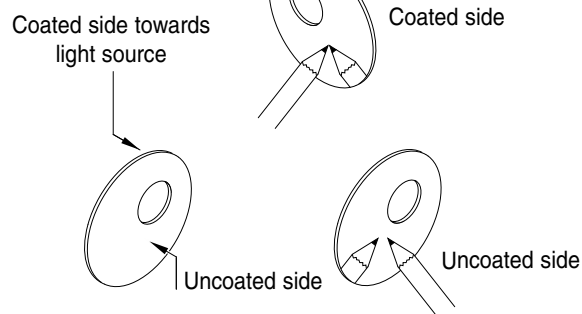
Replacing rotating gobos (\varnothing 32.8 mm - max 26 mm image – thickness 1.1 mm) - Fig. 22

- Before use custom gobos contact Claypaky;
- The original gobos have a special coating designed specifically to resist to the high temperatures;
- The rotating gobo wheel only use dichroic glass gobos (it is not possible to use metal gobos);
- For more information contact Claypaky;

23 COATED GLASS GOBOS TYPE 1



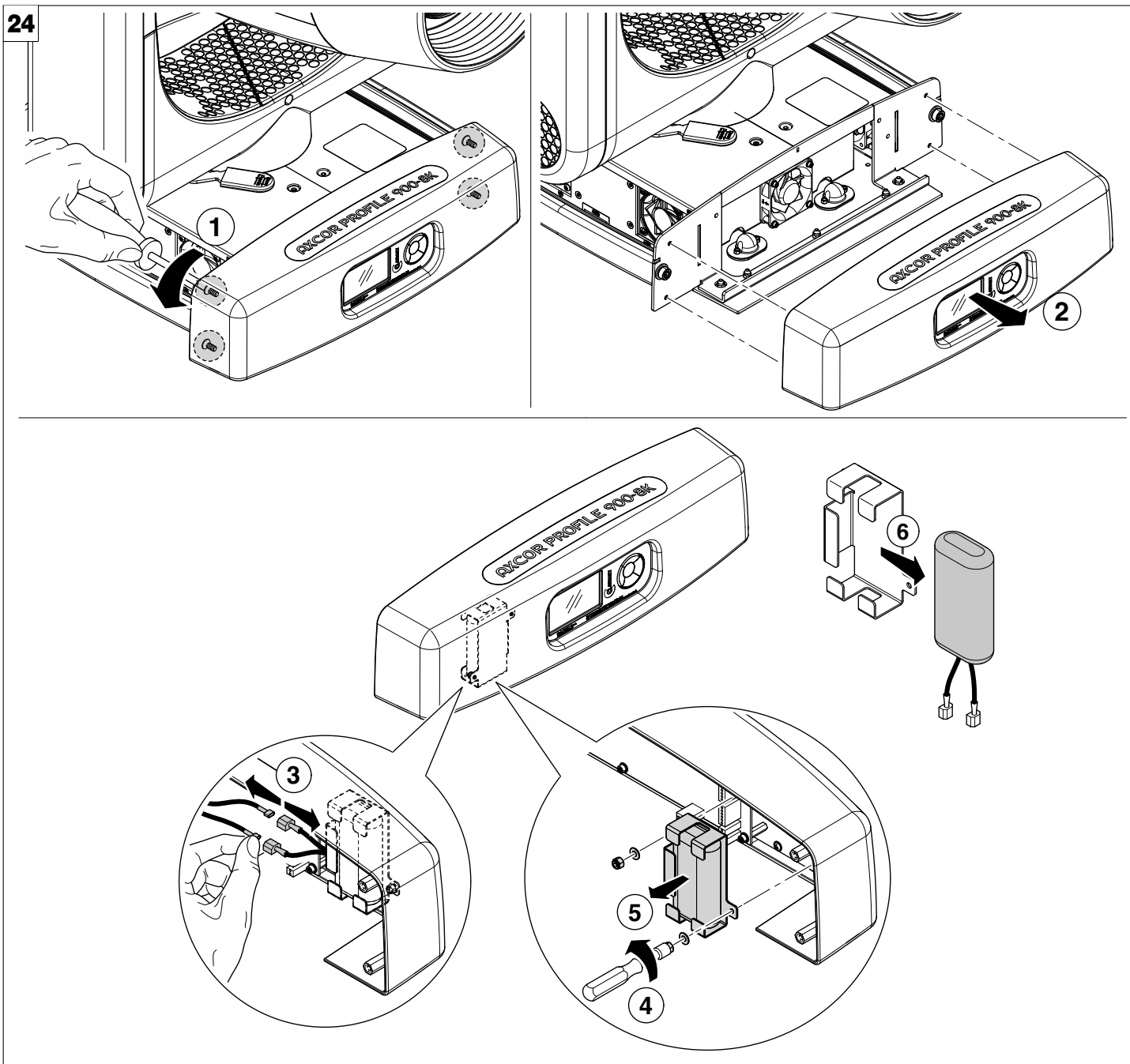
COATED GLASS GOBOS TYPE 2



To determine which side of a gobo is coated, hold an object up to it. On the uncoated side, there is a space between the object and its reflection.

Gobo orientation - Fig. 22

The pictures shown the correct gobos orientation.



Battery removal - Fig. 24

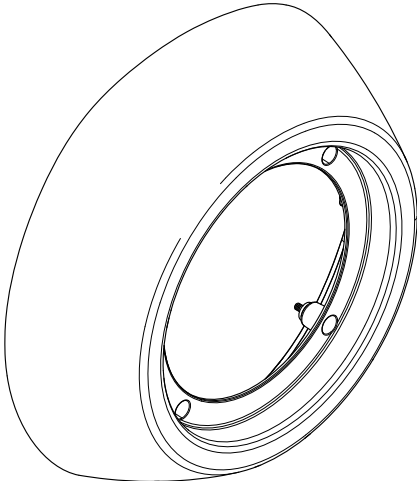


This product contains a rechargeable battery. To preserve the environment, please dispose the battery at the end of its life according to the regulation in force.

OPTIONAL ACCESSORIES

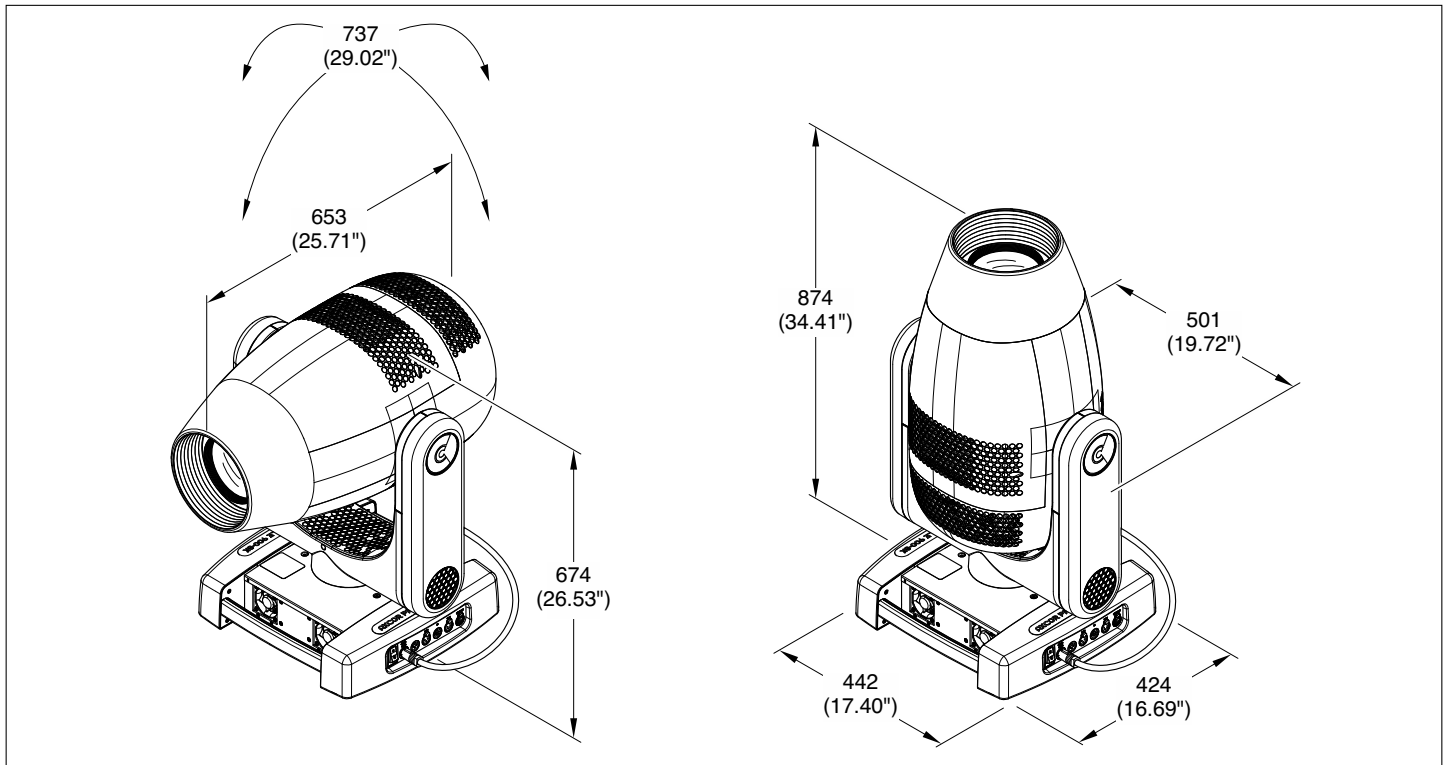
25

C61780



Optional Top - Fig. 25

TECHNICAL INFORMATION



POWER SUPPLIES

115/230V, 50/60 Hz.

INPUT POWER

1400VA at 230V 50Hz.

LIGHT SOURCE

- 880W white LED engine with custom lens solution:
 - Lumen: 46,000 (24,000 lumen output)
 - Colour temperature: 6500 K
 - CRI >70
- Optional 880W white LED engine:
 - Lumen: 34,000 (17,500 lumen output)
 - Colour temperature: 5600 K
 - CRI > 90

OPTICS

- 7°- 40°, Linear and motorised Zoom.
- Motorised Focus tracking system (Autofocus).

COLOR SYSTEM

- CMY System with gradually insertion discs; 16bit.
- No color fringing.
- Linear CTO with gradually insertion disc.
- 6-Color Wheel: dark red, brilliant blue, green, CRI enhancement filter, golden amber, navy blue.

FRAMING SYSTEM

- 4 Blades that move separately.
- Smooth, flexible blade movements at variable speed.
- A "total curtain" effect made separately by each of the 4 blades, in many - shapes and colors.
- Small and large dynamic profiles.
- 90° rotation of the entire system, at variable speed.

EFFECTS SECTION

- Rotating Gobos: 6 HD interchangeable gobos, \varnothing 32.8; image \varnothing 26; indexable on 540°: small dots, plumes, clouds V2, thin shaft, oak three, water lines.
- Animation Wheel: 1 x interchangeable disc, clockwise and counter-clockwise rotation at variable speed.

- Variable "soft edge" frost - Variable flood frost
- Rotating Prism: 1 x 4-facet prism, interchangeable, indexable on 540°; clockwise and counter-clockwise rotation at variable speed.
- Iris: 16-bit, multiple macros (random, pulsing...).
- Dimmer: 16 bit electronic and linear; 4 dimmer curves.
- Strobe: 12 flash/sec, electronic, instant open and blackout.

CONTROL AND PROGRAMMING

- 38 to 44 DMX 512 control channels.
- Control signal: USITT DMX 512.
- Protocols: RDM, WebServer and Art-Net.
- Display: Graphic LCD backlit b/w Display.
- Display battery: Long life self-charging buffer battery.
- Pan/Tilt Resolution: 16 bit.
- Focus Resolution: 16 bit.
- Gobo Resolution: 16 bit.
- Dimmer Resolution: 16 bit.
- Movement control: vectorial.
- DMX signal: connection 5 pole XLR input and output.
- Firmware update Software: upload through DMX input.

BODY

- Aluminum and steel structure with plastic covers.
- Two side handles for transportation.
- Device locking PAN and TILT mechanisms for transportation and maintenance.

MOVING BODY

- PAN
 - Angle Rotation: 540°
 - PAN Resolution: 2.11°
 - PAN FINE Resolution: 0.008°
 - Accuracy: Resolution \pm 0.1° (Range 0.2°)
- TILT
 - Angle Rotation: 250°
 - Resolution 0.960°
 - TILT FINE Resolution: 0.004°
 - Accuracy: Resolution \pm 0.1° (Range 0.2°)

ELECTRONICS

- Long life self-charging buffer battery.
- Function reset from the lighting desk.
- "AUTOTEST" function from menu ARTNET.
- Electronic monitoring with status error.
- Cooling system monitoring.
- DMX level monitoring on all channels.
- Internal data transmission diagnostics.
- Firmware Upgrade with no power.
- Firmware upload from another fixture.

SAFETY DEVICES

- Bipolar circuit breaker with thermal protection.
- Automatic break in power supply in case of overheating.
- Forced ventilation with axial fans.
- Minimum distance of illuminated objects: 3 meters (9' 10").
- Minimum distance from flammable materials: 0.2 meters (8").
- Max ambient temperature: 40°C (104°F).
- Max temperature of the external surface: 90°C (194°F).

WORKING POSITION

- Working position: Any.
- Hanging system 2x fast-lock omega clamps (1/4 turn) on the base.
- Optional: 48-51mm, max300Kg clamps; \varnothing 4mm, length
- 680mm safety cable

CE MARKING

- In conformity with the European Directives:
- 2014/35/EU - Safety of electrical equipment supplied at low voltage (LVD)
 - 2014/30/EU - Electromagnetic Compatibility (EMC)
 - 2011/65/EU - Restriction of the use of certain hazardous substances (RoHS)
 - 2009/125/EC - EcoDesign requirements for Energy-related Products (ErP)

WEIGHT

45Kg (99.2lbs).